



## Weighing Instrumentation

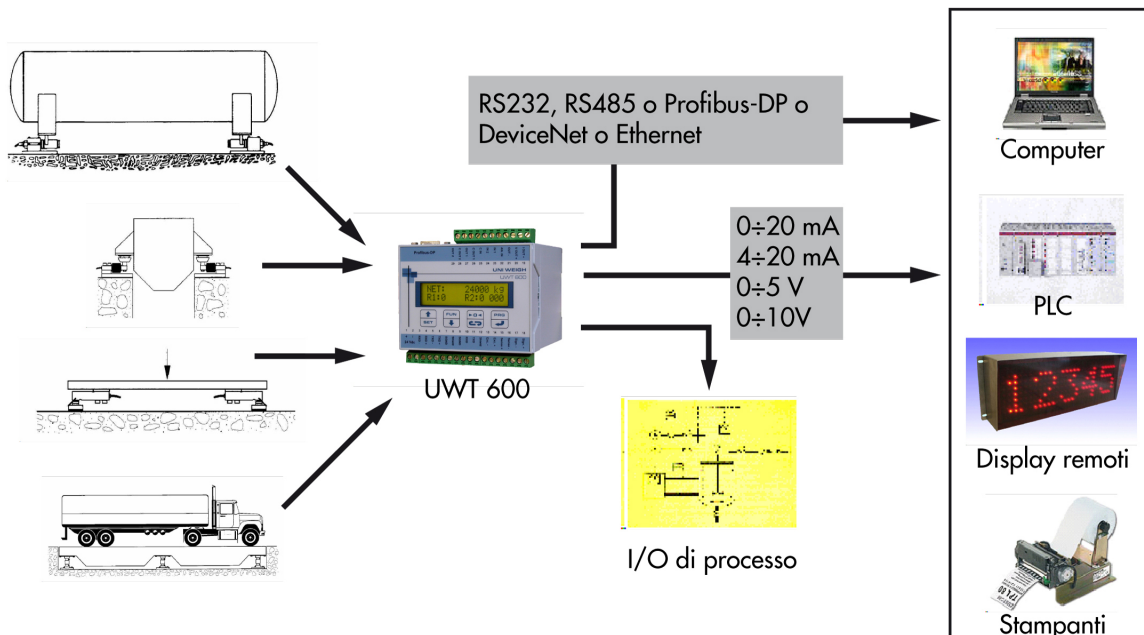
weight transmitters



### UWT 600

- DIN Rail Mounting
- Output RS232 or RS422/RS485, ASCII Protocols or MODBUS RTU
- High performance and reliability

- Optional Protocols: PROFIBUS, DeviceNet, Ethernet
- Analog Output (option)
- Possibility to configure the tool with several options simultaneously



## TECHNICAL CHARACTERISTICS UWT 600

<b>Trasducer input voltage:</b>	5 V (max 6 load cells 350 Ohm)
<b>Measuring range:</b>	-1.5 ÷ +3.5 mV/V
<b>Input sensitivity:</b>	0.02 µV/ per count
<b>Linearity:</b>	±0.01% of R.O.
<b>Thermic drift:</b>	±0.001% R.O./°C
<b>Display:</b>	Alphanumeric backlit LCD, 2 lines and 16 scripts
<b>A/D Converter:</b>	24 bit
<b>Internal resolution:</b>	> 16.000.000 counts
<b>Visible resolution:</b>	600.000 divisions
<b>Divisions value (adjustable):</b>	x1, x2, x5
<b>Set decimal:</b>	0.0 ; 0.00 ; 0.000
<b>Filter:</b>	0.1 ÷ 25 Hz adjustable
<b>Keyboard:</b>	4 membrane keys
<b>Tool voltage:</b>	24 Vcc ±15% - 12 W
<b>Temperature range:</b>	-10 ÷ +50°C
<b>Storage temperature:</b>	-20 ÷ +70°C
<b>Logic output:</b>	2 relays (NA) - 115 V ca/30 V cc , 0.5 A
<b>Logic input:</b>	2 optoisolated 24 V cc PNP
<b>Serial door:</b>	COM1: RS232 COM2: RS422/RS485
<b>Transmission distance:</b>	15m (RS232C), 1000m (RS422 and RS485)
<b>FIELDBUS protocol:</b>	PROFIBUS, DEVICENET, ETHERNET (opzionali)
<b>Protocol:</b>	ASCII, Modbus RTU
<b>Baud rate:</b>	1200 ÷ 115200 adjustable
<b>Analog optional output:</b>	16 Bit optoisolated - Tension: 0÷5/10V (R min10 K Ohm) Current: 0/4÷20mA (R max 300 Ohm)
<b>Regulatory compliance:</b>	EN61000, EN61000 for EMC; EN61010-1 for electrical safety
<b>Electrical connection:</b>	Screw terminals 5 mm
<b>Dimensions:</b>	100 x 75 x 110 mm (L x H x D)

