

Datasheet - AZ/AZM 200-B30-RTAG1

Solenoid interlock / AZM 200 / Actuator / AZ/AZM 200-B30



Preferred typ




- Actuator for hinged guards
- With door detection sensor T
- Easy and intuitive operation
- No risk of injury from protruding actuator
- No supplementary door handles required
- Does not protrude into the door opening
- Various handles available

(Minor differences between the printed image and the original product may exist!)

Ordering details

Product type description	AZ/AZM 200-B30-RTAG1
Article number	101178680
EAN code	4030661312729
eCl@ss	27-27-06-05

Approval

Approval	
notice	Certification in combination with the AZ/AZM 200

Global Properties

Product name	AZ/AZM 200-B30
Materials	
- Material of the housings	Plastic, glass-fibre reinforced thermoplastic self-extinguishing
- Material of the actuator	zinc die-cast
- Material of the operators	Aluminium, plastic coating
Weight	635 g
Door detection sensor (Y/N)	Yes

Mechanical data

Mechanical life	≥ 1.000.000 operations
-----------------	------------------------

Emergency unlocking device (Y/N)	No
Grip	handle
Clamping force F_{\max}	2000 N
Actuator mounted	outside
Door hinge	right

Dimensions

Dimensions of the actuators

- Width of the actuator	115 mm
- Height of the actuator	115 mm
- Length of the actuator	60 mm

Included in delivery

The safety switch / solenoid interlock and the actuator unit must be ordered separately.

Keywords

Search keys	Lockout tag; SZ 200
-------------	---------------------

Ordering code

AZ/AZM 200-B30-(1)TA(2)(3)-(4)

(1)	
L	Door hinge on left-hand side
R	Door hinge on right-hand side
(2)	
A	for Mounting outside
I	for Mounting inside
(3)	
G1	with handle
G2	with Rotating knob
(3)	
P1	with Emergency exit
P20	with Emergency exit Metal film
P25	with Emergency exit Inset handle
P30/P31	with Locking rod (<i>Only for Mounting outside possible</i>)
(4)	
<i>without</i>	without Lockout tag
SZ	with Lockout tag (<i>Only for Mounting outside possible</i>)

Documents

Operating instructions and Declaration of conformity (it) 999 kB, 20.11.2014

Code: mrl_az-azm200-b30_mit_innenanbau_it

Operating instructions and Declaration of conformity (sv) 971 kB, 17.06.2015

Code: mrl_az-azm200-b30_mit_innenanbau_sv

Operating instructions and Declaration of conformity (de) 982 kB, 20.11.2014

Code: mrl_az-azm200-b30_mit_innenanbau_de

Operating instructions and Declaration of conformity (fr) 993 kB, 03.12.2014

Code: mrl_az-azm200-b30_mit_innenanbau_fr

Operating instructions and Declaration of conformity (pl) 1 MB, 20.11.2014

Code: mrl_az-azm200-b30_mit_innenanbau_pl

Operating instructions and Declaration of conformity (es) 982 kB, 20.11.2014

Code: mrl_az-azm200-b30_mit_innenanbau_es

Operating instructions and Declaration of conformity (en) 979 kB, 20.11.2014

Code: mrl_az-azm200-b30_mit_innenanbau_en

Operating instructions and Declaration of conformity (cn) 1 MB, 17.06.2015

Code: mrl_az-azm200-b30_mit_innenanbau_cn

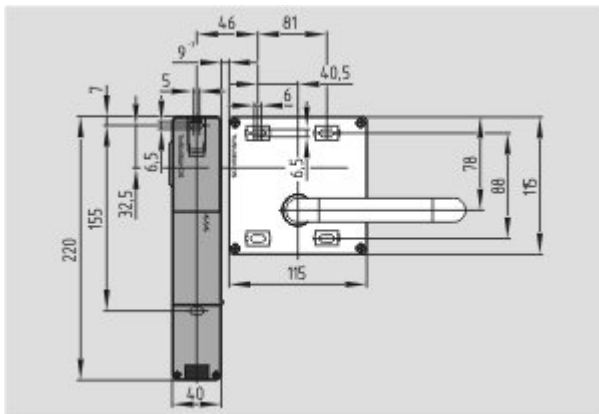
Operating instructions and Declaration of conformity (nl) 978 kB, 20.11.2014

Code: mrl_az-azm200-b30_mit_innenanbau_nl

Images



Product photo



Dimensional drawing (basic component)

Product



AZ 200

- Thermoplastic enclosure
- Screw connection
- Max. length of the sensor chain 200 m
- Self-monitoring series-wiring of 31 sensors
- 3 LEDs to show operating conditions
- Sensor technology permits an offset between actuator and interlock of ± 5 mm vertically and ± 3 mm horizontally
- Intelligent diagnosis



AZM 200

- Thermoplastic enclosure
- Guard locking monitored
- Electronic contact-free, coded system
- Max. length of the sensor chain 200 m
- Self-monitoring series-wiring of 31 sensors
- 3 LEDs to show operating conditions
- Sensor technology permits an offset between actuator and interlock of ± 5 mm vertically and ± 3 mm horizontally
- Intelligent diagnosis
- Manual release

K.A. Schmersal GmbH & Co. KG, Mödinghofe 30, D-42279 Wuppertal

The data and values have been checked thoroughly. Technical modifications and errors excepted.

Generiert am 03.08.2015 - 12:47:15h Kasbase 3.1.12.F.64l