

This series of miniature differential pressure transducers have a piezo-resistive sensor and a unique conductive seal that eliminates internal wire bonding thus enhancing reliability. Zero and full scale adjusters are provided under the top cover. They are ideal for use in areas requiring exact pressure measurement, low hysteresis and long term stability. For all applications where air, oil or water is to be monitored.

## Features

- Piezo-resistive sensor
- Ranges from full vacuum to 20 bar
- Type 482A for 12/24V d.c. input, 4-20mA output
- Type 482B for 24V a.c./d.c. input, 0-10V d.c. output
- Supplied with 1 M flying lead
- Pressure connection 1/8" bsp parallel female brass
- CE marked to EN 61000-6-2
- Complete with mounting bracket
- Enclosure rating IP65
- Weight 350 grams



## Mechanical Specifications

### Pressures

<b>Pressure Ranges</b>	0 to 35 mbar 0 to 70 mbar 0 to 350 mbar 0 to 1 bar 0 to 2 bar 0 to 7 bar 0 to 17 bar
------------------------	--

Intermediate ranges to suit application.

<b>Proof Pressure</b>	1.5 x FS
<b>Out of Balance Pressure</b>	1.5 x FS
<b>Line Pressure</b>	34 bar G

### Performance

<b>Accuracy</b>	0.25% FS
<b>Repeatability</b>	0.2% FS/Year typical
<b>Thermal Error</b>	0.026% FS/°C from 20°C

**Temperature Range** -20 to +80°C

### Mechanical Configurations

<b>Pressure Ports</b>	1/8" bsp female brass
<b>Wetted Parts</b>	Compatible with air, water and oil.

## Electrical Specifications

### Type 482A

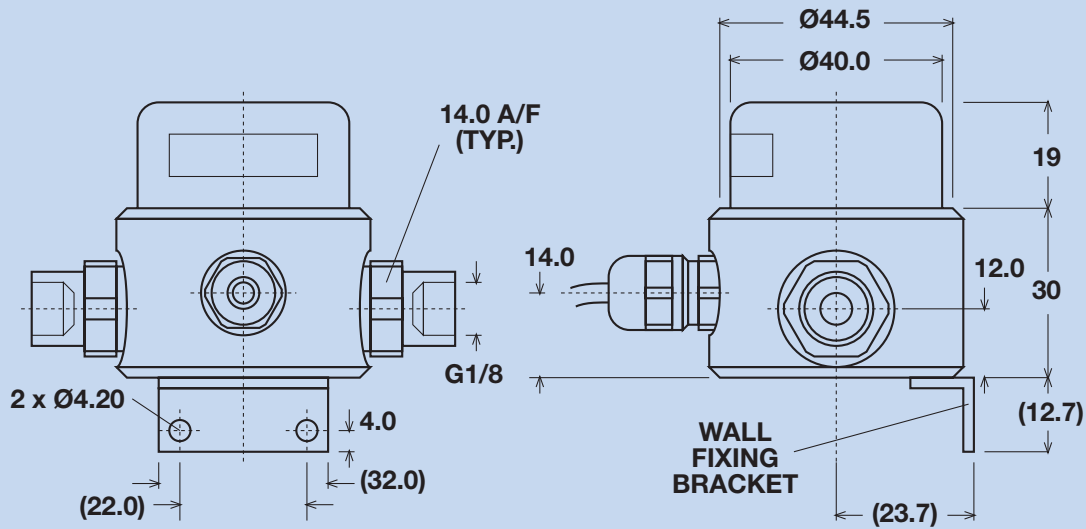
<b>Input</b>	12 to 24V d.c.
<b>Output</b>	4 to 20mA (2 wire)

### Type 482B

<b>Input</b>	24V a.c./d.c.
<b>Output</b>	0 to 10V d.c. (3 wire)

These transducers must be adequately earthed to meet EN 61000-6-2.

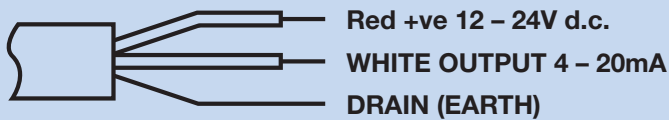
## DIMENSIONS



## TYPICAL WIRING DIAGRAMS

### Electrical Connections

#### Type 482A: mA Output



#### Type 482B: Voltage Output

