



MB SERIES HIGH PERFORMANCE CYLINDRICAL FILTERS

GENERAL PURPOSE ONE-STAGE FILTERS

INTRODUCTIONS

MB series is designed as a compact, easy-to-mount cylindrical filter for switching power supplies, office equipment (copy and facsimile machines) and household appliances (washing machines and dryers).

COMPONENTS

PART No.	L(mH)	Cx(μF)	Cy(pF)	R(KΩ)	Safety
•10MBFG5	0.5	0.47	10000	680	
••16MBFG5	1.0	0.47	10000	680	

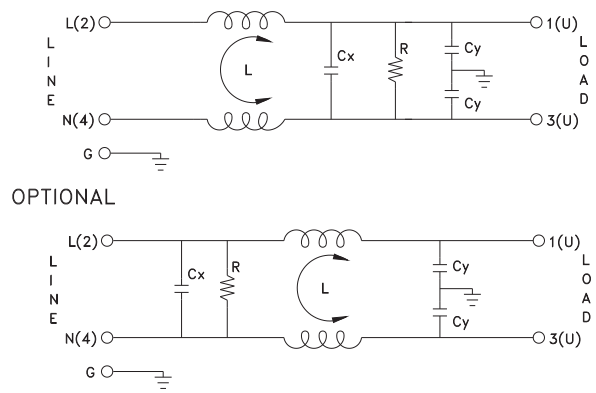
- With optional inductance 1.0mH / Capacitance from 0.15μF to 0.68μF for Cx, 1000pF to 27000μF for Cy / Resistance up to 1.0MΩ.
- With optional Capacitance from 0.1μF to 1.0μF for Cx, 100pF to 27000μF for Cy / Resistance up to 2.2 MΩ.

MINIMUM INSERTION LOSS IN dB

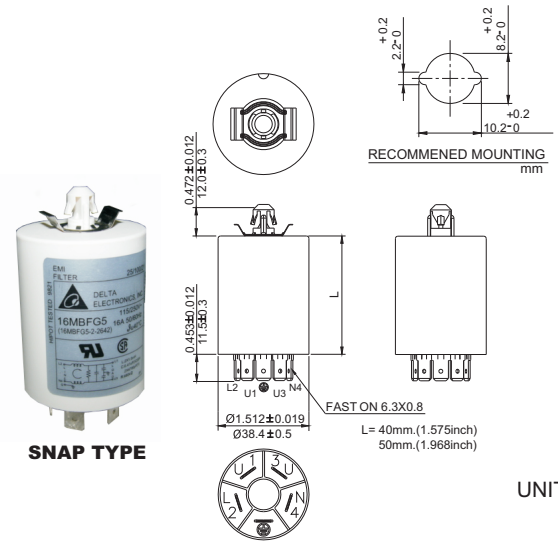
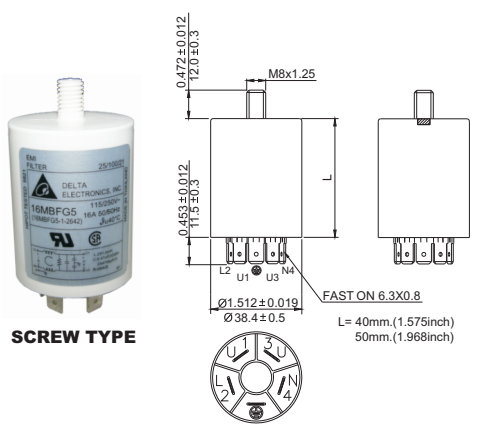
COMMON MODE (L-G) IN 50 OHM SYSTEM							
TYPE	CURRENT RATING	FREQUENCY-MHz					
		.15	.50	1.0	5.0	10	30
10MBFG5	10A	5	19	27	44	32	21
16MBFG5	16A	11	26	31	30	20	4

DIFFERENTIAL MODE (L-L) IN 50 OHM SYSTEM							
TYPE	CURRENT RATING	FREQUENCY-MHz					
		1	12	20	19	20	22
10MBFG5	10A	1	12	20	19	20	22
16MBFG5	16A	11	24	12	14	17	28

ELECTRICAL SCHEMATIC



MECHANICAL CONSTRUCTION



SPECIFICATIONS

- Maximum leakage current each line-to-ground @115VAC 60Hz: 1.0mA @250VAC 50Hz: 2.0mA
- Hipot rating (one minute) line-to-ground: 2250VDC line-to-line: 1450VDC
- Operating frequency: 50/60 Hz
- Rated voltage: 115/250VAC

