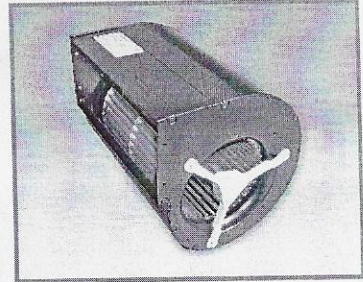
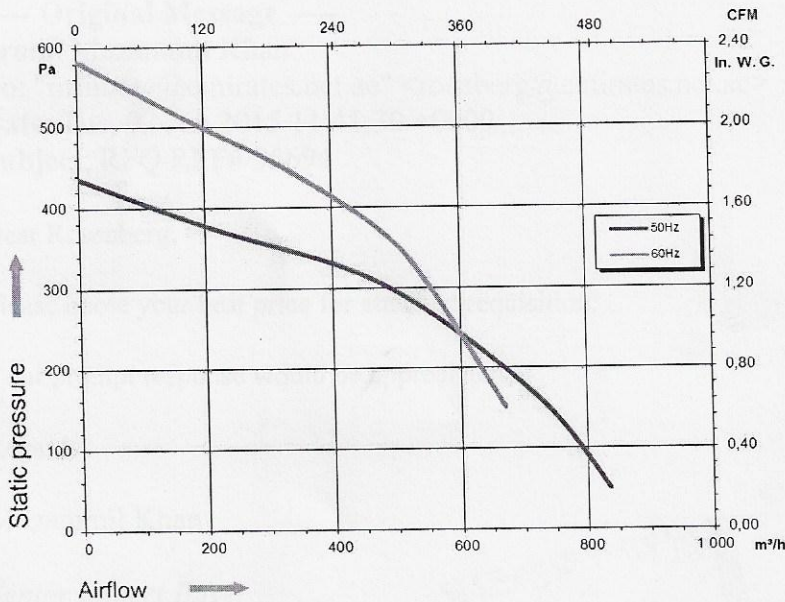
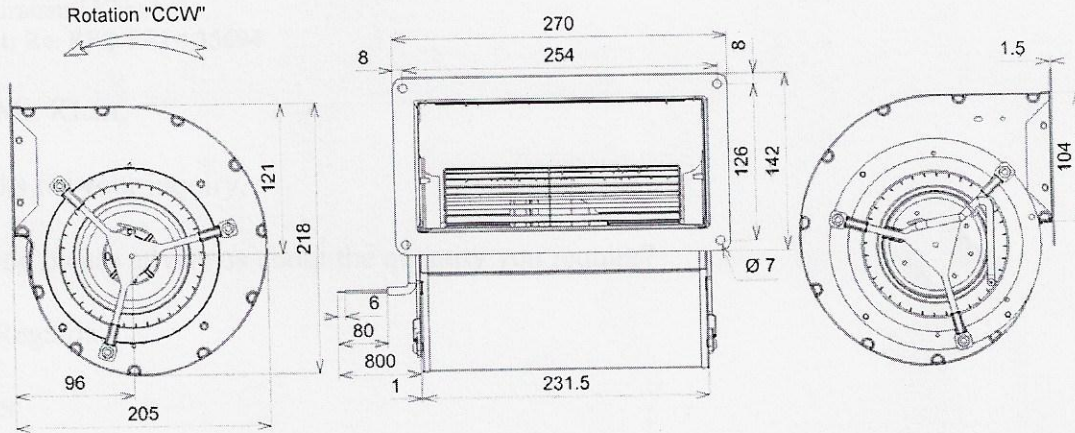


Voltage	Frequency	Input power	Current	Capacitor	Airflow	Speed rotation	Noise level	Rotation direction	Operating temperature	Erp 2013	Erp 2015
V	Hz	Wa	A	µF	m³/h	RPM	dBA	↻	Min / Max	OK	NOK
230	50	209	0,94	5,0	835	1 550	59	L	-20°C / +50°C	OK	NOK
230	60	227	0,99	5,0	670	1 940	56	L	-20°C / +50°C		
230	50				491 CFM				-4°F / +122°F		
230	50				394 CFM				-4°F / +122°F		



dBa : free let out



- Weight : 4,1 Kg

- Ball bearing
- Class F, thermally protected
- IP44 protection depending on installation and position as per EN60034-5
- G2.5 balancing
- Scroll housing : black paint
- Galvanized steel impeller



Capacitor for 50Hz	Capacitor for 60Hz	Finger guard	Connector
19131	19131	21338	09145

