

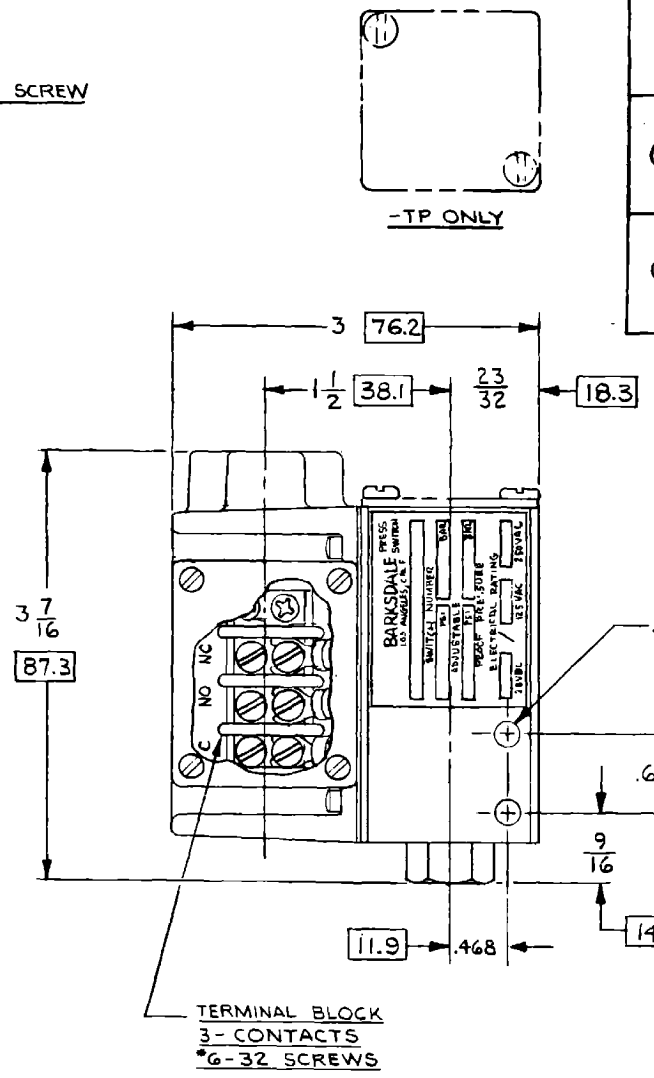
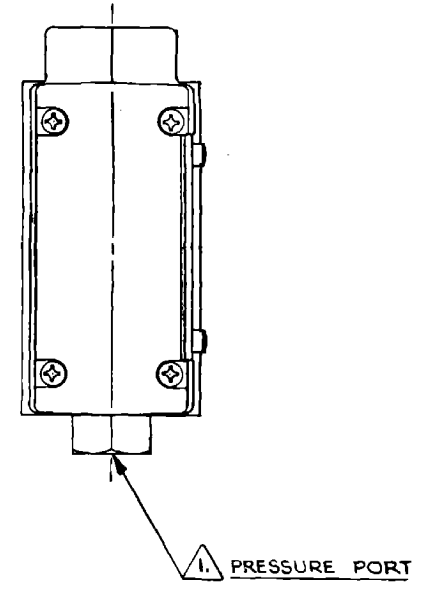
WIRE CODE

LEAD	COLOR
NORM. CLOSED	BLUE
COMMON	PURPLE
NORM. OPEN	RED

OPERATING CHARACTERISTICS (PRESSURE IN P.S.I.)

LIMIT SWITCH CLASS	SWITCH NO.	ADJUSTABLE RANGE				ACTUATION VALUE (APPROX) (DIFFERENTIAL)	PROOF PRESSURE
		DECREASING		INCREASING			
		MIN.	MAX.	MIN.	MAX.		
AA	96101-AA1	250	910	280	1000	30-250*	4500
	96101-AA2	800	2780	860	3000	60-260*	4500
	96101-AA3	1000	4060	1100	4500	100-440*	7500
BB	96101-BB1	250	860	320	1000	70-220*	4500
	96101-BB2	800	2680	940	3000	140-360*	4500
	96101-BB3	1000	3850	1220	4500	220-650*	7500
CC	96101-CC1	250	860	320	1000	70-140*	4500
	96101-CC2	800	2680	940	3000	140-320*	4500
	96101-CC3	1000	3850	1220	4500	220-650*	7500
GH	96101-GH1	250	920	270	1000	20-200*	4500
	96101-GH2	800	2800	860	3000	60-400*	4500
	96101-GH3	1000	4200	1080	4500	80-300*	7500

* FIXED AT ANY PRESSURE SETTING. VARIES AS SHOWN FROM LOWEST TO HIGHEST SETTING.



**ELECTRICAL RATING
MAX. CONTINUOUS CURRENT (AMPS)**

LIMIT SWITCH CLASS	A.C. 75% PF.	
	125V	250V
AA	4	4
BB	5	5
CC	10	10
GH	1.0	—

MODIFICATIONS ADD SUFFIX TO PART NO.

SUFFIX	DESCRIPTION
-TP	TAMPER-PROOF ADJ. SCREW COVER

10. DIMENSIONS IN BOXES REPRESENT MILLIMETERS.
 9. WATER-TIGHT HOUSING (NEMA-4) WITH TERMINAL BLOCK.
 8. ADJUSTMENT INSTRUCTIONS:
TO DECREASE: COUNTER-CLOCKWISE
TO INCREASE: CLOCKWISE
 7. WHEN ORDERING, SPECIFY SWITCH NO., SERVICE AND SETTING REQUIRED TO INSURE OBTAINING CORRECT SWITCH.
 6. SWITCH MAY BE MOUNTED IN ANY POSITION.
 5. SWITCH MAY BE WIRED NORMALLY OPEN OR CLOSED.
 4. SWITCH ELEMENT: SINGLE POLE, DOUBLE THROW.
 3. PROOF PRESSURE: SEE TAB.
 2. SERVICE: AIR, HYDRAULIC OIL, AND WATER.
 1. PRESSURE PORT: 1/8 N.P.T.
- NOTES:**

DRAWN AJL 12-15-72	CHECKED D.H. 12-15-72	APPR.	APPR.	PRESSURE SWITCH - PISTON FIXED ACTUATION VALUE - HOUSED TERM. BLOCK - 250-4500 P.S.I.	S PCO 00007509 8-30-11 LB
UNLESS OTHERWISE SPECIFIED TOLERANCES ARE: Fractional ± 1/16 Decimal ± 1/32 Angular ± 5°				Q PCO 00007441 5-23-11 LB	
PART NO. IS 15 CERTIFIED TO CONFORM TO THE SPECIFICATIONS SHOWN ON THIS DRAWING				P ECO 0004030 10-21-93 AE	
SIGNED _____ DATE _____				N ADDED L.S. CL. 'GH' TO TAB. & ELEC. RATING 4-18-86 RHB	
BARKSDALE A DIVISION OF DE LAVAL TURBINE LOS ANGELES CALIFORNIA 90058				M DELETED - F3 MODIFICATION. 5-28-85 RHB	
ASSEMBLY: C98424				L ADDED LIMIT SW. CLASS CC 6-23-83 R.J.S.	
WEIGHT: 20 oz. SCALE: NONE				DWG. C C96101	CHG. S

DWG. C C96101 S