

Self-protected combination motor controllers, UL 508 type E, LMR series

Manual motor protectors LMR up to 32A



LMR32...

Catalog number	Thermal trip adjustment range	Short-circuit ratings		Qty per pkg	Wt
		IEC Icu at 400V	UL KAIC at 480V		
	[A]	[kA]	[kA]	n°	[kg]
LMR32 0016	0.1-0.16	100	65	5	0.320
LMR32 0025	0.16-0.25	100	65	5	0.320
LMR32 0040	0.25-0.4	100	65	5	0.320
LMR32 0063	0.4-0.63	100	65	5	0.320
LMR32 0100	0.63-1	100	65	5	0.320
LMR32 0160	1-1.6	100	65	5	0.320
LMR32 0250	1.6-2.5	100	65	5	0.320
LMR32 0400	2.5-4	100	65	5	0.320
LMR32 0600	4-6	100	65	5	0.320
LMR32 0800	5-8	100	65	5	0.320
LMR32 1000	6-10	100	65	5	0.340
LMR32 1300	9-13	100	65	5	0.340
LMR32 1700	11-17	50	30	5	0.340
LMR32 2200	14-22	50	30	5	0.340
LMR32 2600	18-26	50	30	5	0.340
LMR32 3200	22-32	50	30	5	0.340

General characteristics

LMR are combination motor controllers with high short-circuit interrupting capacity and equipped with thermal and magnetic trip releases. Motor control and protection, up to 15kW at 400V / 20HP 480V / 30HP 600V, are possible by choosing the suitable adjustment range, 0.1 to 32A.

The LMR32 motor controllers have rotating handle operation and are suitable also as motor disconnect according to IEC/EN 60947/UL508 standards. Their high short-circuit rating allows to exclude protection fuses and/or circuit breakers on the majority of the installations.

Operational characteristics

- Rated insulation voltage Ui: 690V
- Rated impulse withstand voltage: 6kV
- Rated frequency: 50/60Hz
- Maximum rated current: 32A
- 16 different adjustment ranges
- Short-circuit ratings: for IEC Ics and Icu values, see table on page 4
- Power dissipation: 1.7-7.4W
- Magnetic tripping: 13xIn max
- Thermal tripping class: 10
- Phase failure sensitive
- Mechanical life: 100,000 cycles
- Electrical life: 100,000 cycles
- Mounting on 35mm DIN rail (IEC/EN 60715)
- Mounting position: Any
- Utilisation category: A
- Padlockable handle with no need of accessories
- Anti-tamper shield, standard supplied.

Certifications and compliance

Certifications obtained: cULus as "Combination Motor Controller Type E".

Compliant with standards: IEC/EN 60947-1, IEC/EN 60947-2, IEC/EN 60947-4-1, UL508.

NOTE: When more than one protectors are mounted, side by side, without leaving space between each to allow free air circulation on the protector sides, an have simultaneous operation, the thermal trip adjustment must be positioned at a value 15% greater than the rated motor current.

UL horsepower and short-circuit ratings

Catalog number	Thermal trip adjustment range ❶ [A]	UL maximum horsepower ratings						UL short-circuit ratings (KAIC) Combination motor controller (Type E) ❸		
		Single-phase ❷		Three-phase		480V	600V	240V	480V	600V
		120V [HP]	240V [HP]	200V [HP]	240V [HP]	[HP]	[HP]	[kA]	[kA]	[kA]
LMR32 0016	0.1-0.16	—	—	—	—	—	—	100	65	25
LMR32 0025	0.16-0.25	—	—	—	—	—	—	100	65	25
LMR32 0040	0.25-0.4	—	—	—	—	—	—	100	65	25
LMR32 0063	0.4-0.63	—	—	—	—	—	—	100	65	25
LMR32 0100	0.63-1	—	—	—	—	—	1/2	100	65	25
LMR32 0160	1-1.6	—	1/10	—	—	3/4	3/4	100	65	25
LMR32 0250	1.6-2.5	—	1/6	1/2	1/2	1	1 1/2	100	65	25
LMR32 0400	2.5-4	1/8	1/3	3/4	3/4	2	3	100	65	25
LMR32 0600	4-6	1/4	1/2	1	1 1/2	3	5	100	65	25
LMR32 0800	5-8	1/3	1	2	2	5	5	100	65	10
LMR32 1000	6-10	1/3	1 1/2	2	3	5	7 1/2	100	65	10
LMR32 1300	9-13	1/2	2	3	3	7 1/2	10	100	65	10
LMR32 1700	11-17	1	3	3	5	10	15	100	30	10
LMR32 2200	14-22	1 1/2	3	5	7 1/2	15	20	100	30	10
LMR32 2600	18-26	2	3	7 1/2	7 1/2	15	20	100	30	10
LMR32 3200	22-32	2	5	7 1/2	10	20	30	100	30	10

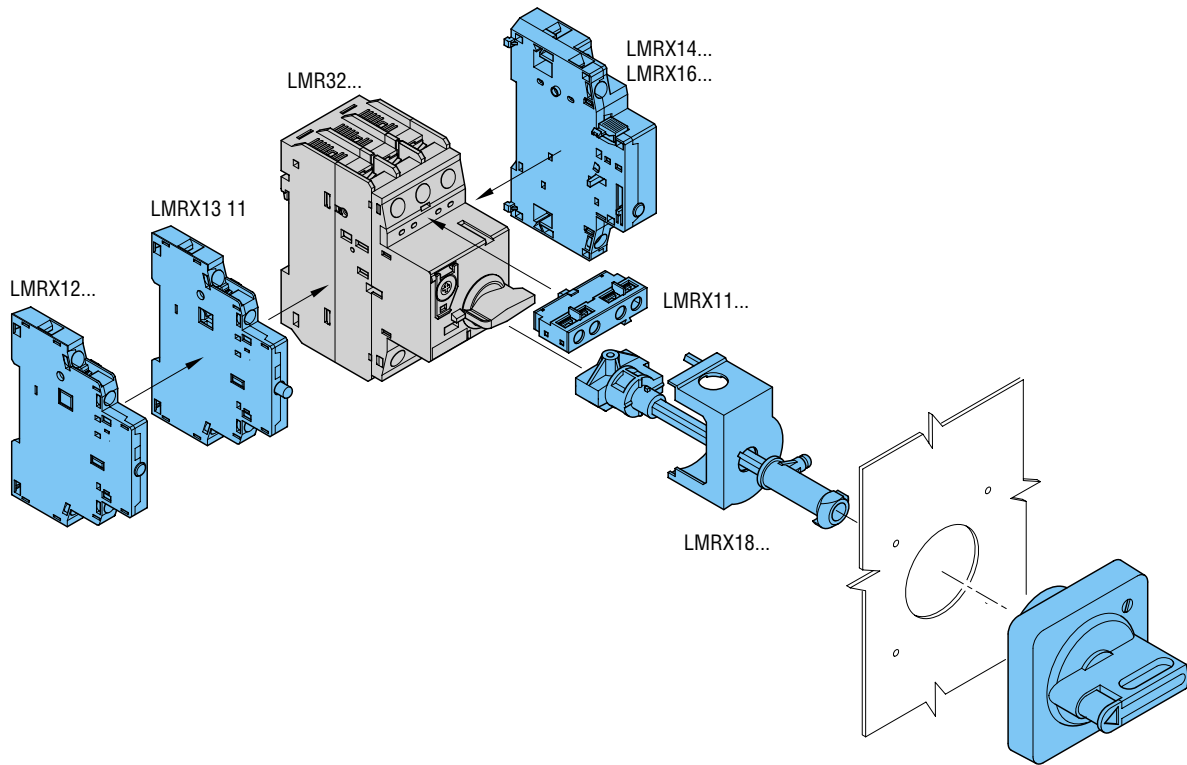
❶ The appropriate thermal trip range of the protector should be selected on the basis of the motor nameplate full-load current since the horsepower ratings given in the table are for reference only.

❷ Single-phase horsepower ratings are based on wiring the three poles in series; see wiring scheme on page 5.

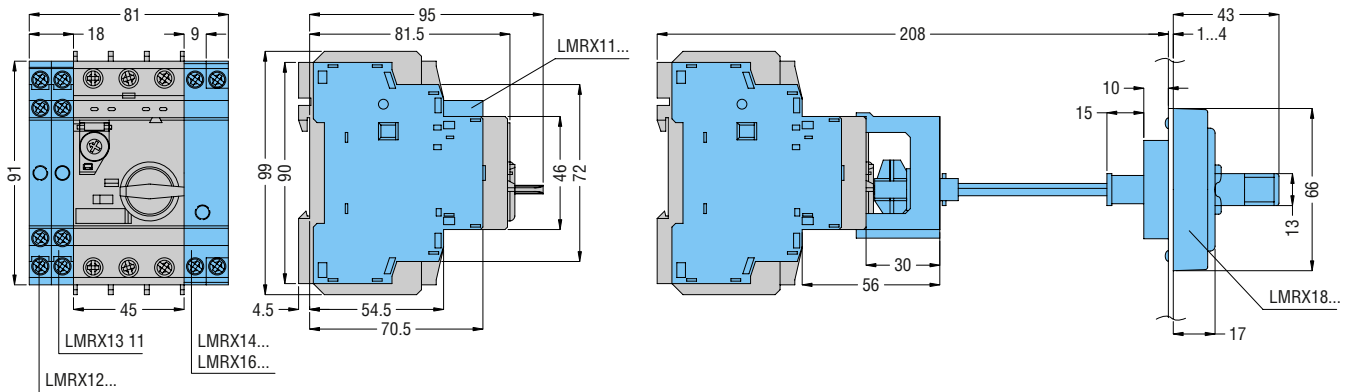
❸ "Self-Protected Combination Motor Controller" per UL508 and CSA 22.2 No.14.

Self-protected combination motor controllers, UL 508 type E, LMR series

Combinations



Overall dimensions



Wiring schemes

