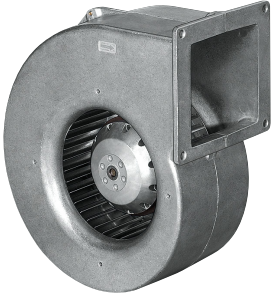


G2E140-AI28-01

AC centrifugal fan with housing (small flange)

forward curved, single inlet



ebm-papst Mulfingen GmbH & Co. KG

Bachmühle 2

74673 Mulfingen

Phone: +49 7938 81-0

Fax: +49 7938 81-110

www.ebmpapst.com

info1@de.ebmpapst.com

Nominal data

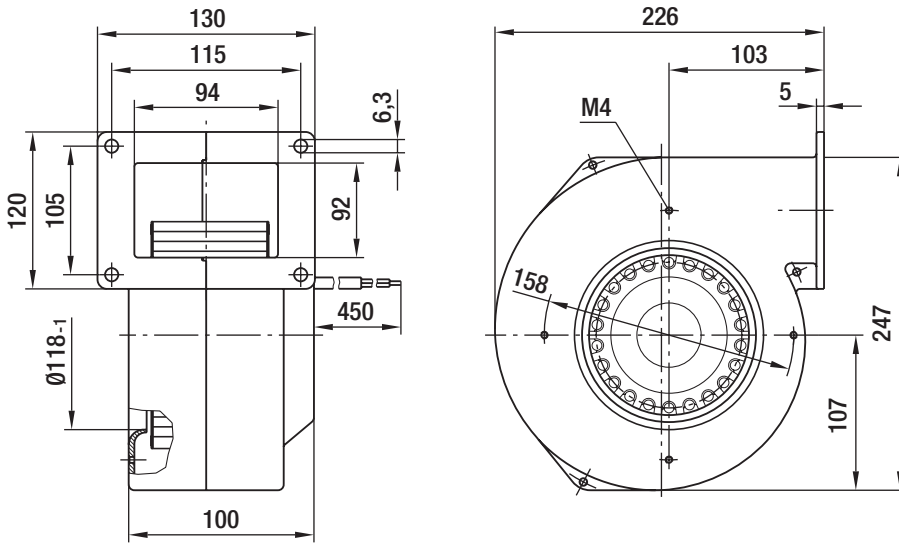
Type	G2E140-AI28-01			
Motor	M2E068-DF			
Phase		1~	1~	1~
Nominal voltage	[V]	230	230	230
Frequency	[Hz]	50	60	60
Type of data definition		rfa	rfa	rfa
Valid for approval / standard		CE	CE	UL2 (
Speed	[min ⁻¹]	2400	2350	2350
Power input	[W]	160	205	220
Current draw	[A]	0.7	0.9	0.96
Motor capacitor	[μF]	4	4	4
Capacitor voltage	[VDB]	400	400	400
Min. back pressure	[Pa]	0	0	0
Max. ambient temperature	[°C]	70	45	45
Air flow	[m ³ /h]	485	480	480
Back pressure	[Pa]	0	0	0
Sound pressure level	[dB(A)]	72	71	71

ml = max. load · me = max. efficiency · rfa = running at free air · cs = customer specs · cu = customer unit
Subject to alterations

Technical features

Leackage current	< 0,75 mA
Size	140 mm
Operation mode	Continuous operation (S1)
Direction of rotation	Clockwise, seen on rotor
Insulation class	"B"
Bearing-motor	Ball bearing
Mass	2.6 kg
Housing material	Die-cast aluminum
Material of impeller	Sendzimir galvanized sheet steel
Motor protection	Thermal overload protector (TOP) wired internally
Product conforming to standard	CE
Type of protection	IP 44
Protection class	I
Approval	CCC; GOST

Product drawing

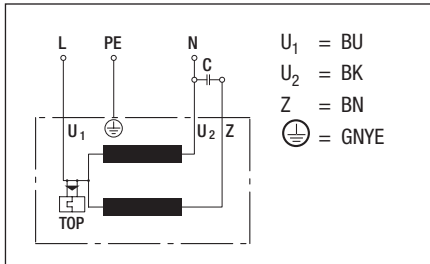


G2E140-AI28-01

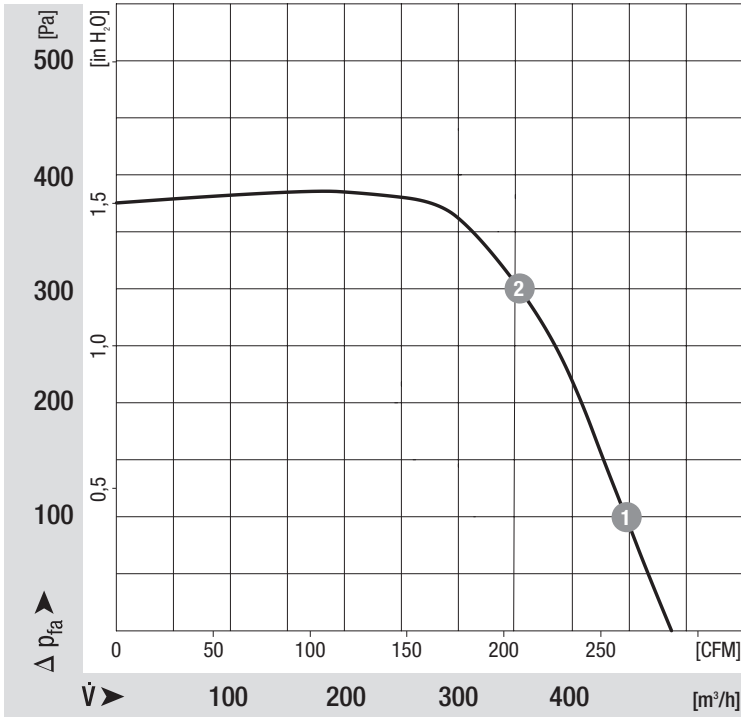
AC centrifugal fan with housing (small flange)

forward curved, single inlet

Connection screen



Charts: Air flow 50 Hz



	n	P ₁	I
	[min ⁻¹]	[W]	[A]
1	2485	148	0.65
2	2630	128	0.57

Charts: Air flow 60 Hz

