



MODULE WITH PIPE



MODULE WITH CABLE



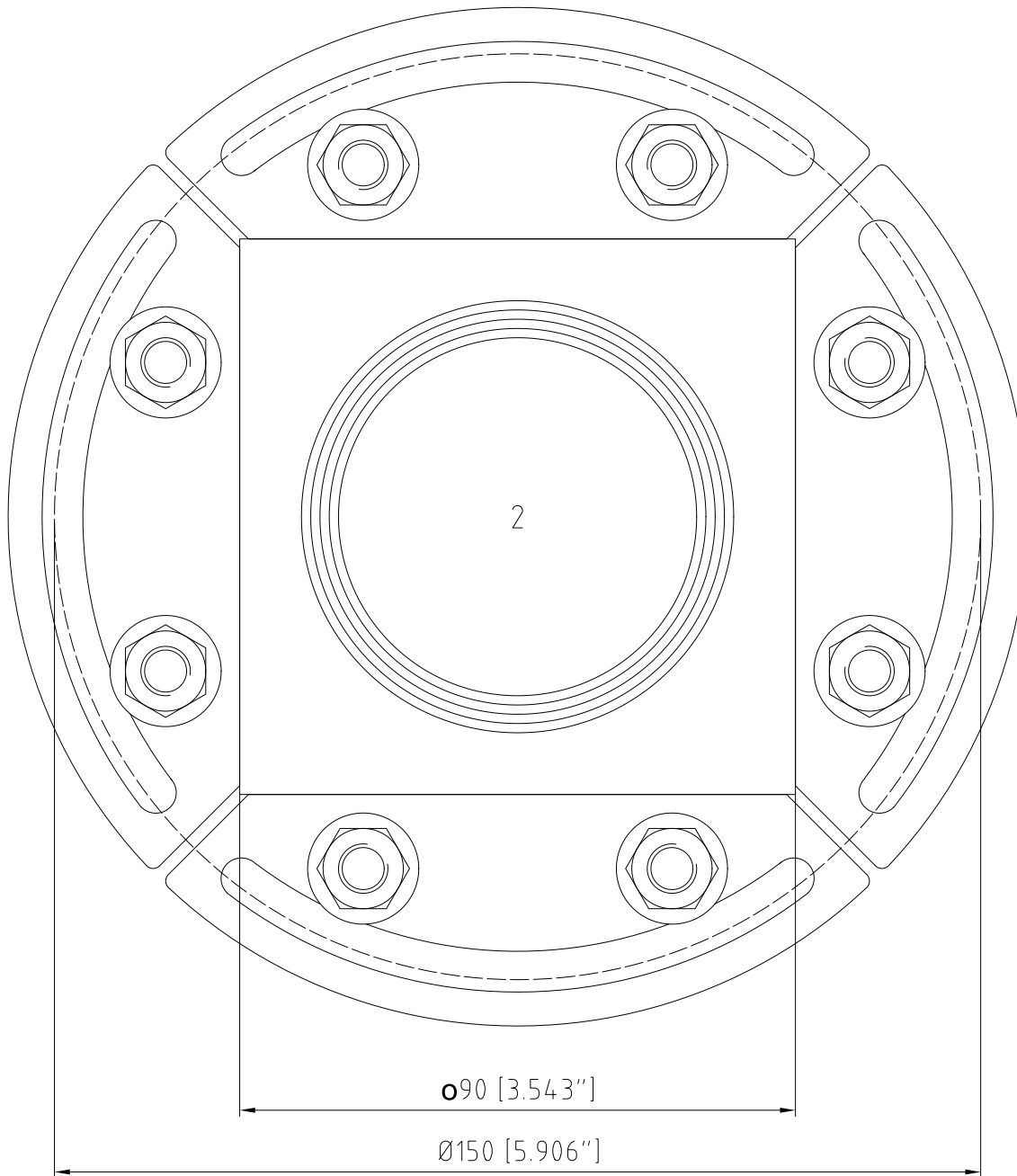
SPARE MODULE



SOLID MODULE

Detail Drawing

Solution: 1



格克賽克保留所有權利。未經授權嚴禁复制，
 使用以及向第三方泄漏。

All rights reserved. Unauthorized reproduction, use
 or disclosure to third parties is strictly forbidden.

2	1	RM 90 48-71 [1.890-2.795]		RM00100901000	0.7 [1.59]
1	1	R 150 AISI316 WITH NET		R000001501021	1.6 [3.53]
Item	Qty	Roxtec Packing Material	mm ["]	Roxtec Art No	Weight Kg [lb]
Responsible		Created Date	Modify Date	Project	TotWeight
Matthias Berling		2016-03-09	2016-03-21	1	2.3
Format		NTS		Location/ Sublocation	[5.11]
				Default	Sheet No
				1	1/1
Client				Drawing number	Rev

