



ULTRAFILTER
THE FILTRATION MANUFACTURER

Kronsbein ultrafilter®



**ultra.drain
condensate drain
without compressed air loss**

ultra.drain: the reliable condensate dr

Reliable condensate drainage without compressed air loss

An ultra.drain pays for itself within a few months by energy saving. If a time-controlled drain leaks compressed air of 7 bar every 10 min for 10 sec for one year, costs of approximately Euro 137,00 are incurred. Compare this with Euro 5,00 for supply voltage and zero Euro for compressed air losses using the ultra.drain.

Float and time controlled drainers are very sensitive to dirt-laden condensate – thanks to its larger outlet cross sections and fewer moving parts the ultra.drain operates totally reliable and in addition offers an optimum price/performance ratio.

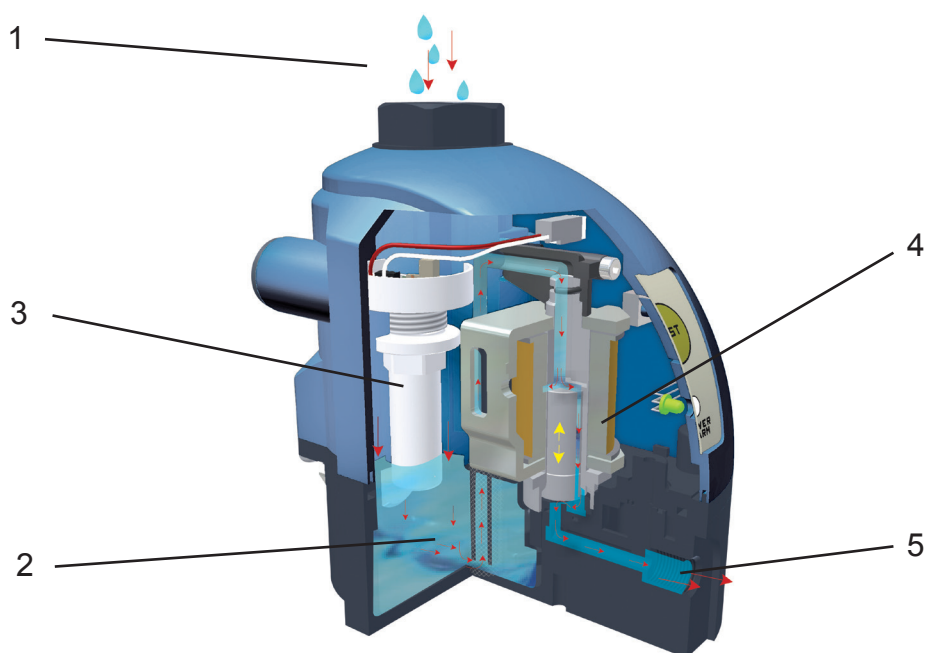
Significantly improved oil-water separation with in-line separators through lower emulsification of the condensate – especially in comparison with time-controlled drainers.

Extremely quiet in operation: very important if the drainer is used decentrally in workplaces.

4 sizes for a performance range from 30 to 150 l/h.

How the ultra.drain works

Condensate (1) is collected in the drain (2), the valve (4) is closed by system pressure. As soon as the condensate reaches the sensor (3), the valve opens, the condensate is expelled by the system pressure. The valve closes before the air can escape (5).



rain without losses of compressed air!

Features and Advantages

- Very robust construction of aluminium and fibre glass reinforced plastic.
- Optimum condensate feed via condensate entry from above / alternatively from behind
- Greatest resistance to aggressive media due to anodised protection
- Rounded off operating area visible at any height of installation
- Can be used anywhere in the world with any desired voltage either 24 V / 230 V and 24 V / 115V
- Simple installation and maintenance
- Reliable function due to larger condensate discharge and directly operated outlet valve

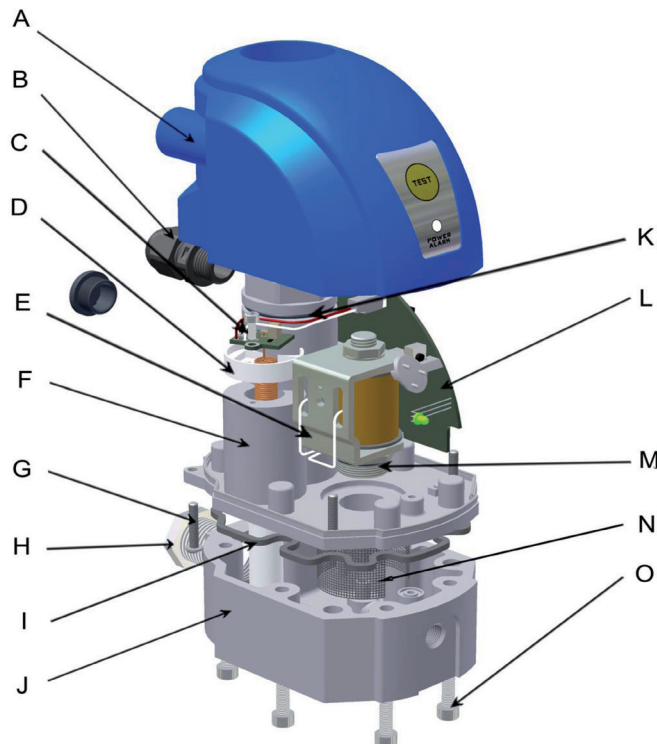
Operational warranty

In order to produce ultra.drain, only the best components that meet the high quality standards of production are used. The Quality Assurance system according as ISO 9001 means that all appliances receive the "Quality Product" certification. In combination with the maintenancefriendly and user-friendly construction, absolute reliability and security of operation is ensured, guaranteed by the two-year functional guarantee.

Quality product with 2 years guarantee

Reliable function without wearing parts!

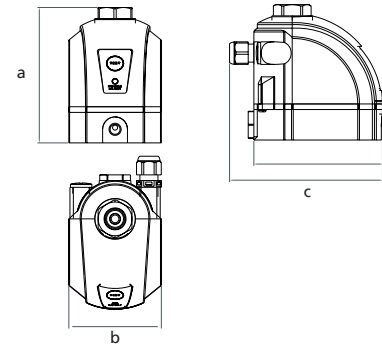
- (A) Cover
- (B) Cable inlet
- (C) Sensor
- (D) Sensor housing
- (E) Valve
- (F) upper housing
- (G) screws PT
- (H) condensate inlet
- (I) housing seal
- (J) lower housing
- (K) O-ring
- (L) Electronic board
- (M) O-ring
- (N) filter mesh
- (O) screw inbus M5



Technical data

type	pressure bar(g)	discharge capacity at 7 bar (g) l/h	nom. compressor power kW	connection top/back	elect. connection	temperature-range in °C	electrical protection
UAD S015	1-16	15	> 30	R 1/2" BSP or NPT	230V 50Hz or 115V 60Hz	1 - 65	IP 54
UAD S040		40	37 - 75				
UAD S090		90	90 - 160				
UAD S150		150	200 - 315				

type	dimensions in mm			connection top/back
	height (A)	width (B)	depth (C)	
UAD S015	125	82	120	0,9
UAD S040	125	82	120	0,9
UAD S090	135	82	120	1,05
UAD S150	150	82	120	1,15



Rearsided connection ultra.drain



Technical alterations reserved.



ultrafilter gmbh

Otto-Hahn-Str. 1 • 40721 Hilden • Germany

Tel: +49 (0) 21 03.33 36 0 • Fax +49(0)21 03.33 36 36

e-Mail: info@ultra-filter.de • www.ultra-filter.de