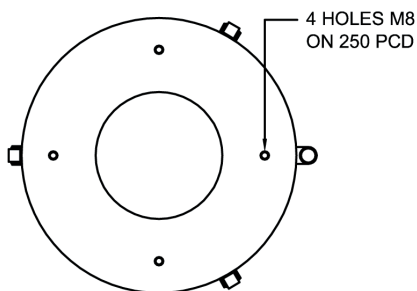
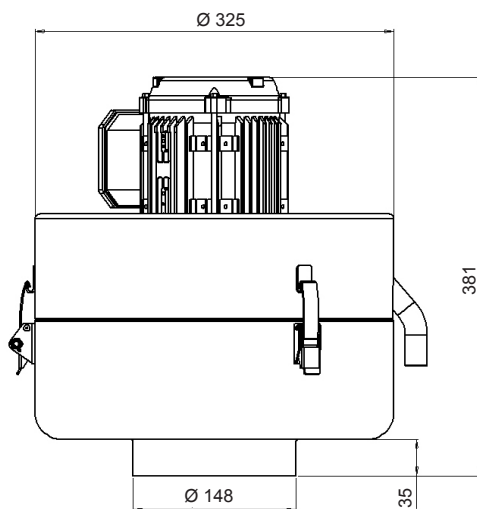
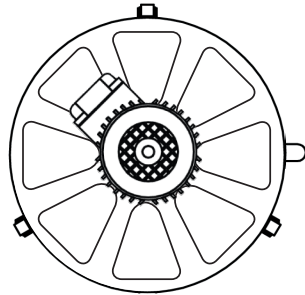


# FILTERMIST **S**SERIES

OIL MIST FILTER



S400		
AIRFLOW (M <sup>3</sup> /HR)	425 @ 50Hz 500 @ 60Hz	
MOTOR <sup>1</sup> (0.55 kW, 3ph)	50Hz	60Hz
	200v, 220v, 380v, 400v, 415v	220v, 230v, 240v 440v, 460v, 480v
WEIGHT (KG)	14	
NOISE <sup>2</sup> (dBA)	65	
CONSTRUCTION	Mild Steel Powder Coated Grey RAL7035	

<sup>1</sup> Motors to be used on specified voltages only

<sup>2</sup> Results are in test conditions +/- 3% tolerance. Local variations and in use conditions may effect readings.

January 2014