

**Receiver**
**From**

 Society  
 Reference  
 Address  
 Phone  
 Fax  
 E-mail

**Item n° :**

60122692

**Model :**

MULTI INOX 3 M

**Pump data**

 Pressure rating : --  
 Min. fluid temperature : 0 °C  
 Max. fluid temperature : 35 °C  
 Max. Ambient temperature : 40 °C

**Requested data**

 Flow : 0,00 l/min  
 Head : 0,00 m  
 Fluid : Water, pure  
 Fluid Temperature : 20 °C  
 Density : 0,9983 kg/dm<sup>3</sup>  
 Kinematic viscosity : 1,005 mm<sup>2</sup>/s  
 Vapor pressure : 2,34 kPa

**Hydraulic data (duty point)**

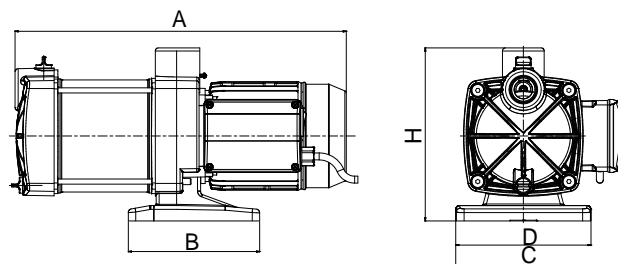
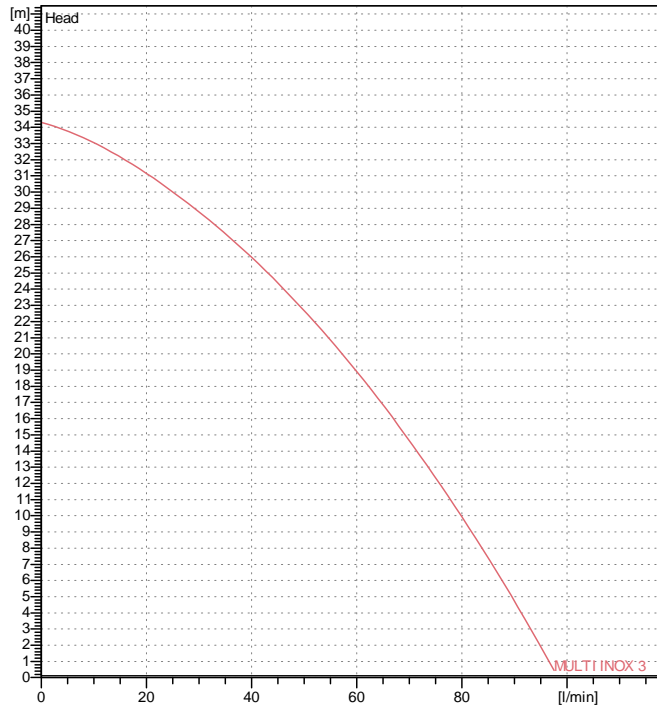
 Flow :  
 Head :

**Materials**

 Pump body : Technopolymer  
 Impeller : Stainless Steel AISI 304  
 Motor shaft : AISI 416 X12 CrS 13 UNI EN 10088-1  
 OR ring : NBR  
 Diffuser : Technopolymer  
 Mechanical seal : Carbon/Ceramic  
 Counterface : STEA/NBR

**Motor data**

 Motor brand : DAB  
 Nominal power P2 : 0,55 kW  
 Rated speed : 2800 1/min  
 Rated voltage : 1~ 220-240 V 50 Hz  
 Nominal current : 3,7 A  
 Degree of protection : IP X4

**Curve tolerance according to ISO 9906**

**Weight :** 8,5 kg

**Dimensions in mm**

	A	B	C	D	H
Dimensions (mm)	380	170	215	175	220

**Pump connection**

 Suction side : 1 " G / --  
 Discharge side : 1 " G / --



WATER • TECHNOLOGY

# PERFORMANCE CURVES

2018-04-19

Page 2 / 3

DAB PUMPS S.p.A.  
Via Marco Polo, 14 - 35035 Mestrino (PD), Italy  
Tel. +39 049 5125000 - Fax +39 049 5125950  
www.dabpumps.com

Receiver

From

Society  
Reference  
Address  
Phone  
Fax  
E-mail

## MULTI INOX 3 M

Curve tolerance according to ISO 9906



Hydraulic data (duty point)

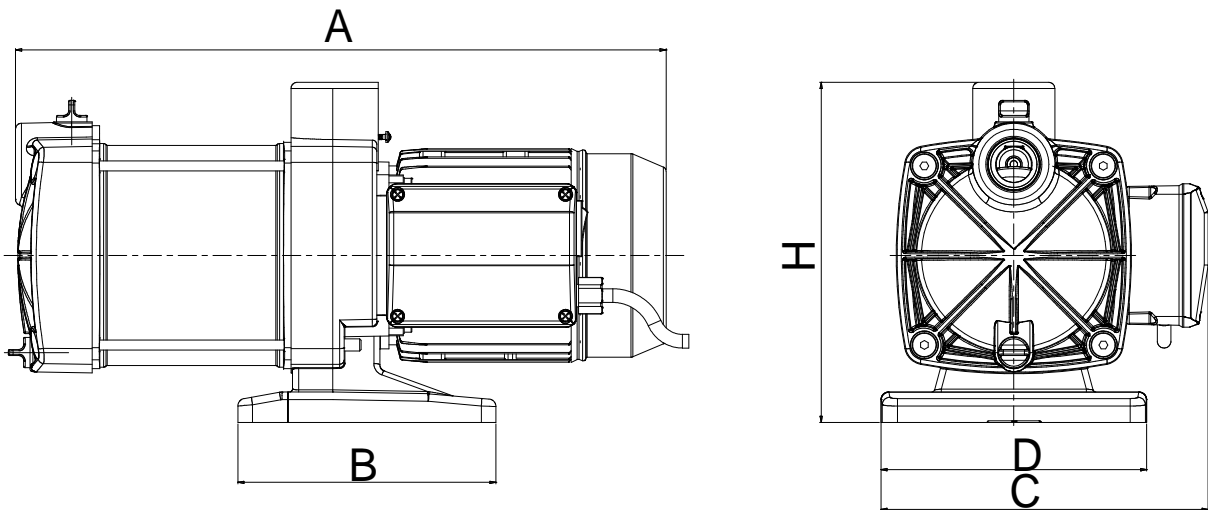
Suction side : 1 " G --	Discharge side : 1 " G --	Flow : 0 l/min	Head : 0 m	Rated speed : 2800 1/min
Project	Project ID	Created by	Created on <b>2018-04-19</b>	

Receiver

From

Society  
 Reference  
 Address  
 Phone  
 Fax  
 E-mail

## MULTI INOX 3 M


**Dimensions in mm**

1	A	380				
2	B	170				
3	C	215				
4	D	175				
5	H	220				

**Pump connection**

 Suction  
 1 " G

--

 Discharge  
 1 " G

--

Project

Project ID

Created by

Created on

**2018-04-19**