



BASE

Glass-fibre reinforced polyamide based (PA) technopolymer, black colour, matte finish.

ARTICULATED STEM

Threaded AISI 304 stainless steel with regulation hexagon.

STANDARD EXECUTIONS

- **LV.A-SST**: without no-slip disk.
- **LV.A-AS-SST**: with NBR rubber no-slip disk, hardness 70 Shore A, supplied assembled to the base.

FEATURES

The special knurling under the lower lip of the base provides excellent stability and grip when using the levelling element without no-slip disk even on surfaces that are not perfectly flat.

The particular assembling system of the no-slip disk to the base assures a perfect anchoring, preventing separation even in case of impact during transport or of adhesion (sticking) to the floor (see No-slip disks on page 979).

ORDER INFORMATION

The levelling elements are supplied unassembled to make carriage and storage easier. The components (base and stem) are supplied in separate packing: less volume taken and better protection from scratches and dirt.

To order bases and stems separately, see:

- table of possible combinations Bases/Stems (see page 984)
- the codes of the Bases (see page 980)
- the codes of the Stems (see page 986).

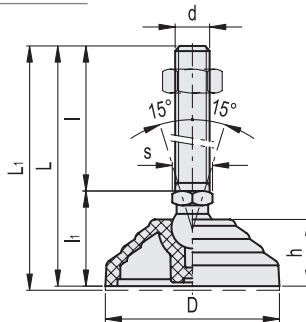
ACCESSORIES ON REQUEST

AISI 304 stainless steel nut (see Nuts NT. on page 979).



ELESA Original design

| Conversion Table | |
|-------------------|------|
| 1 mm = 0.039 inch | |
| D | |
| mm | inch |
| 60 | 2.36 |
| 70 | 2.76 |
| 80 | 3.15 |
| 100 | 3.94 |
| 125 | 4.92 |



LV.A-SST

LV.A-AS-SST

| Code | Description | Code | Description | D | d | L | Li# | l | li | h | s | Articulation ° | Max. limit static load* [N] | ⚖️ | ⚖️ # |
|--------|------------------------|--------|---------------------------|----|-----|-----|-----|-----|----|----|----|-------------------|-----------------------------------|-----|------|
| 323121 | LV.A-60-14-SST-M8x43 | 327121 | LV.A-60-14-AS-SST-M8x43 | 60 | M8 | 76 | 79 | 43 | 33 | 24 | 14 | 14 | 14000 | 63 | 82 |
| 323125 | LV.A-60-14-SST-M8x68 | 327125 | LV.A-60-14-AS-SST-M8x68 | 60 | M8 | 101 | 104 | 68 | 33 | 24 | 14 | 14 | 14000 | 75 | 94 |
| 323221 | LV.A-60-14-SST-M10x43 | 327221 | LV.A-60-14-AS-SST-M10x43 | 60 | M10 | 76 | 79 | 43 | 33 | 24 | 14 | 14 | 14000 | 72 | 91 |
| 323225 | LV.A-60-14-SST-M10x68 | 327225 | LV.A-60-14-AS-SST-M10x68 | 60 | M10 | 101 | 104 | 68 | 33 | 24 | 14 | 14 | 14000 | 85 | 104 |
| 323231 | LV.A-60-14-SST-M10x98 | 327231 | LV.A-60-14-AS-SST-M10x98 | 60 | M10 | 131 | 134 | 98 | 33 | 24 | 14 | 14 | 14000 | 99 | 118 |
| 323321 | LV.A-60-14-SST-M12x43 | 327321 | LV.A-60-14-AS-SST-M12x43 | 60 | M12 | 76 | 79 | 43 | 33 | 24 | 14 | 14 | 14000 | 82 | 101 |
| 323325 | LV.A-60-14-SST-M12x68 | 327325 | LV.A-60-14-AS-SST-M12x68 | 60 | M12 | 101 | 104 | 68 | 33 | 24 | 14 | 14 | 14000 | 100 | 119 |
| 323331 | LV.A-60-14-SST-M12x98 | 327331 | LV.A-60-14-AS-SST-M12x98 | 60 | M12 | 131 | 134 | 98 | 33 | 24 | 14 | 14 | 14000 | 122 | 141 |
| 323421 | LV.A-60-14-SST-M14x68 | 327421 | LV.A-60-14-AS-SST-M14x68 | 60 | M14 | 101 | 104 | 68 | 33 | 24 | 14 | 14 | 14000 | 123 | 142 |
| 323431 | LV.A-60-14-SST-M14x98 | 327431 | LV.A-60-14-AS-SST-M14x98 | 60 | M14 | 131 | 134 | 98 | 33 | 24 | 14 | 14 | 14000 | 144 | 163 |
| 323441 | LV.A-60-14-SST-M14x148 | 327441 | LV.A-60-14-AS-SST-M14x148 | 60 | M14 | 181 | 184 | 148 | 33 | 24 | 14 | 14 | 14000 | 227 | 246 |
| 323521 | LV.A-60-14-SST-M16x68 | 327521 | LV.A-60-14-AS-SST-M16x68 | 60 | M16 | 101 | 104 | 68 | 33 | 24 | 16 | 14 | 14000 | 145 | 164 |
| 323525 | LV.A-60-14-SST-M16x108 | 327525 | LV.A-60-14-AS-SST-M16x108 | 60 | M16 | 141 | 144 | 108 | 33 | 24 | 16 | 14 | 14000 | 199 | 218 |
| 323541 | LV.A-60-14-SST-M16x148 | 327541 | LV.A-60-14-AS-SST-M16x148 | 60 | M16 | 181 | 184 | 148 | 33 | 24 | 16 | 14 | 14000 | 252 | 271 |
| 323561 | LV.A-60-14-SST-M16x168 | 327561 | LV.A-60-14-AS-SST-M16x168 | 60 | M16 | 201 | 204 | 168 | 33 | 24 | 16 | 14 | 14000 | 279 | 298 |

* The max static load is the value above which the load applied to the element may cause some plastic material breakage, in particular conditions of use. Obviously, a factor that takes into consideration the importance and the safety level of the specific application must be applied to this value.

Data with no-slip disk mounted.

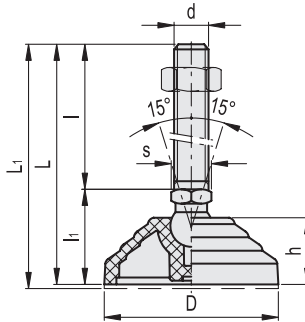


Levelling elements and supports



Levelling elements and supports

| Conversion Table | |
|-------------------|------|
| 1 mm = 0,039 inch | |
| D | |
| mm | inch |
| 60 | 2.36 |
| 70 | 2.76 |
| 80 | 3.15 |
| 100 | 3.94 |
| 125 | 4.92 |



LVA-SST

LVA-AS-SST

METRIC

| Code | Description | Code | Description | D | d | L | Lt# | l | lt | h | s | Articulation θ | Max. limit static load* [N] | ⚖️ | ⚖️# |
|--------|-----------------------|--------|--------------------------|----|-----|-----|-----|-----|----|----|----|-------------------|-----------------------------------|-----|-----|
| 323621 | LVA-60-24-SST-M16x58 | 327621 | LVA-60-24-AS-SST-M16x58 | 60 | M16 | 101 | 104 | 58 | 43 | 24 | 24 | 24 | 18000 | 208 | 227 |
| 323625 | LVA-60-24-SST-M16x98 | 327625 | LVA-60-24-AS-SST-M16x98 | 60 | M16 | 141 | 144 | 98 | 43 | 24 | 24 | 24 | 18000 | 260 | 279 |
| 323641 | LVA-60-24-SST-M16x138 | 327641 | LVA-60-24-AS-SST-M16x138 | 60 | M16 | 181 | 184 | 138 | 43 | 24 | 24 | 24 | 18000 | 311 | 330 |
| 323661 | LVA-60-24-SST-M16x158 | 327661 | LVA-60-24-AS-SST-M16x158 | 60 | M16 | 201 | 204 | 158 | 43 | 24 | 24 | 24 | 18000 | 339 | 358 |
| 323725 | LVA-60-24-SST-M20x98 | 327725 | LVA-60-24-AS-SST-M20x98 | 60 | M20 | 141 | 144 | 98 | 43 | 24 | 24 | 24 | 18000 | 332 | 351 |
| 323741 | LVA-60-24-SST-M20x138 | 327741 | LVA-60-24-AS-SST-M20x138 | 60 | M20 | 181 | 184 | 138 | 43 | 24 | 24 | 24 | 18000 | 412 | 431 |
| 323761 | LVA-60-24-SST-M20x158 | 327761 | LVA-60-24-AS-SST-M20x158 | 60 | M20 | 201 | 204 | 158 | 43 | 24 | 24 | 24 | 18000 | 452 | 471 |
| 323781 | LVA-60-24-SST-M20x198 | 327781 | LVA-60-24-AS-SST-M20x198 | 60 | M20 | 241 | 244 | 198 | 43 | 24 | 24 | 24 | 18000 | 537 | 556 |
| 323825 | LVA-60-24-SST-M24x98 | 327825 | LVA-60-24-AS-SST-M24x98 | 60 | M24 | 141 | 144 | 98 | 43 | 24 | 24 | 24 | 18000 | 432 | 451 |
| 323861 | LVA-60-24-SST-M24x158 | 327861 | LVA-60-24-AS-SST-M24x158 | 60 | M24 | 201 | 204 | 158 | 43 | 24 | 24 | 24 | 18000 | 607 | 626 |
| 323881 | LVA-60-24-SST-M24x198 | 327881 | LVA-60-24-AS-SST-M24x198 | 60 | M24 | 241 | 244 | 198 | 43 | 24 | 24 | 24 | 18000 | 728 | 747 |
| 324005 | LVA-70-14-SST-M8x43 | 328005 | LVA-70-14-AS-SST-M8x43 | 70 | M8 | 71 | 74 | 43 | 28 | 19 | 14 | 14 | 14000 | 61 | 81 |
| 324011 | LVA-70-14-SST-M8x68 | 328011 | LVA-70-14-AS-SST-M8x68 | 70 | M8 | 96 | 99 | 68 | 28 | 19 | 14 | 14 | 14000 | 73 | 93 |
| 324021 | LVA-70-14-SST-M10x43 | 328021 | LVA-70-14-AS-SST-M10x43 | 70 | M10 | 71 | 74 | 43 | 28 | 19 | 14 | 14 | 14000 | 70 | 90 |
| 324025 | LVA-70-14-SST-M10x68 | 328025 | LVA-70-14-AS-SST-M10x68 | 70 | M10 | 96 | 99 | 68 | 28 | 19 | 14 | 14 | 14000 | 84 | 103 |
| 324031 | LVA-70-14-SST-M10x98 | 328031 | LVA-70-14-AS-SST-M10x98 | 70 | M10 | 126 | 129 | 98 | 28 | 19 | 14 | 14 | 14000 | 97 | 117 |
| 324061 | LVA-70-14-SST-M12x43 | 328061 | LVA-70-14-AS-SST-M12x43 | 70 | M12 | 71 | 74 | 43 | 28 | 19 | 14 | 14 | 14000 | 80 | 100 |
| 324065 | LVA-70-14-SST-M12x68 | 328065 | LVA-70-14-AS-SST-M12x68 | 70 | M12 | 96 | 99 | 68 | 28 | 19 | 14 | 14 | 14000 | 98 | 118 |
| 324071 | LVA-70-14-SST-M12x98 | 328071 | LVA-70-14-AS-SST-M12x98 | 70 | M12 | 126 | 129 | 98 | 28 | 19 | 14 | 14 | 14000 | 120 | 140 |
| 324075 | LVA-70-14-SST-M14x68 | 328075 | LVA-70-14-AS-SST-M14x68 | 70 | M14 | 96 | 99 | 68 | 28 | 19 | 14 | 14 | 14000 | 121 | 141 |
| 324081 | LVA-70-14-SST-M14x98 | 328081 | LVA-70-14-AS-SST-M14x98 | 70 | M14 | 126 | 129 | 98 | 28 | 19 | 14 | 14 | 14000 | 142 | 162 |
| 324085 | LVA-70-14-SST-M14x148 | 328085 | LVA-70-14-AS-SST-M14x148 | 70 | M14 | 176 | 179 | 148 | 28 | 19 | 14 | 14 | 14000 | 225 | 245 |
| 324101 | LVA-70-14-SST-M16x68 | 328101 | LVA-70-14-AS-SST-M16x68 | 70 | M16 | 96 | 99 | 68 | 28 | 19 | 16 | 14 | 14000 | 143 | 163 |
| 324105 | LVA-70-14-SST-M16x108 | 328105 | LVA-70-14-AS-SST-M16x108 | 70 | M16 | 136 | 139 | 108 | 28 | 19 | 16 | 14 | 14000 | 197 | 217 |
| 324111 | LVA-70-14-SST-M16x148 | 328111 | LVA-70-14-AS-SST-M16x148 | 70 | M16 | 176 | 179 | 148 | 28 | 19 | 16 | 14 | 14000 | 250 | 270 |
| 324115 | LVA-70-14-SST-M16x168 | 328115 | LVA-70-14-AS-SST-M16x168 | 70 | M16 | 196 | 199 | 168 | 28 | 19 | 16 | 14 | 14000 | 277 | 297 |
| 324121 | LVA-80-14-SST-M8x43 | 328121 | LVA-80-14-AS-SST-M8x43 | 80 | M8 | 76 | 79 | 43 | 33 | 24 | 14 | 14 | 16000 | 84 | 110 |
| 324125 | LVA-80-14-SST-M8x68 | 328125 | LVA-80-14-AS-SST-M8x68 | 80 | M8 | 101 | 104 | 68 | 33 | 24 | 14 | 14 | 16000 | 96 | 122 |
| 324221 | LVA-80-14-SST-M10x43 | 328221 | LVA-80-14-AS-SST-M10x43 | 80 | M10 | 76 | 79 | 43 | 33 | 24 | 14 | 14 | 16000 | 93 | 119 |
| 324225 | LVA-80-14-SST-M10x68 | 328225 | LVA-80-14-AS-SST-M10x68 | 80 | M10 | 101 | 104 | 68 | 33 | 24 | 14 | 14 | 16000 | 106 | 132 |
| 324231 | LVA-80-14-SST-M10x98 | 328231 | LVA-80-14-AS-SST-M10x98 | 80 | M10 | 131 | 134 | 98 | 33 | 24 | 14 | 14 | 16000 | 120 | 146 |
| 324321 | LVA-80-14-SST-M12x43 | 328321 | LVA-80-14-AS-SST-M12x43 | 80 | M12 | 76 | 79 | 43 | 33 | 24 | 14 | 14 | 16000 | 103 | 129 |
| 324325 | LVA-80-14-SST-M12x68 | 328325 | LVA-80-14-AS-SST-M12x68 | 80 | M12 | 101 | 104 | 68 | 33 | 24 | 14 | 14 | 16000 | 121 | 147 |
| 324331 | LVA-80-14-SST-M12x98 | 328331 | LVA-80-14-AS-SST-M12x98 | 80 | M12 | 131 | 134 | 98 | 33 | 24 | 14 | 14 | 16000 | 143 | 169 |
| 324421 | LVA-80-14-SST-M14x68 | 328421 | LVA-80-14-AS-SST-M14x68 | 80 | M14 | 101 | 104 | 68 | 33 | 24 | 14 | 14 | 16000 | 144 | 170 |
| 324431 | LVA-80-14-SST-M14x98 | 328431 | LVA-80-14-AS-SST-M14x98 | 80 | M14 | 131 | 134 | 98 | 33 | 24 | 14 | 14 | 16000 | 165 | 191 |
| 324441 | LVA-80-14-SST-M14x148 | 328441 | LVA-80-14-AS-SST-M14x148 | 80 | M14 | 181 | 184 | 148 | 33 | 24 | 14 | 14 | 16000 | 248 | 274 |
| 324521 | LVA-80-14-SST-M16x68 | 328521 | LVA-80-14-AS-SST-M16x68 | 80 | M16 | 101 | 104 | 68 | 33 | 24 | 16 | 14 | 16000 | 166 | 192 |
| 324525 | LVA-80-14-SST-M16x108 | 328525 | LVA-80-14-AS-SST-M16x108 | 80 | M16 | 141 | 144 | 108 | 33 | 24 | 16 | 14 | 16000 | 220 | 246 |
| 324541 | LVA-80-14-SST-M16x148 | 328541 | LVA-80-14-AS-SST-M16x148 | 80 | M16 | 181 | 184 | 148 | 33 | 24 | 16 | 14 | 16000 | 273 | 299 |
| 324561 | LVA-80-14-SST-M16x168 | 328561 | LVA-80-14-AS-SST-M16x168 | 80 | M16 | 201 | 204 | 168 | 33 | 24 | 16 | 14 | 16000 | 300 | 326 |

* The max static load is the value above which the load applied to the element may cause some plastic material breakage, in particular conditions of use. Obviously, a factor that takes into consideration the importance and the safety level of the specific application must be applied to this value.

Data with no-slip disk mounted.

| Conversion Table | |
|-------------------|------|
| 1 mm = 0.039 inch | |
| D | |
| mm | inch |
| 60 | 2.36 |
| 70 | 2.76 |
| 80 | 3.15 |
| 100 | 3.94 |
| 125 | 4.92 |

LV.A-SST

LV.A-AS-SST



| Code | Description | Code | Description | D | d | L | L# | l | li | h | s | Articulation ∅ | Max. limit static load* [N] | ⚖️ | ⚖️ # |
|--------|-------------------------|--------|----------------------------|-----|-----|-----|-----|-----|----|----|----|-------------------|-----------------------------------|-----|------|
| 324621 | LV.A-80-24-SST-M16x58 | 328621 | LV.A-80-24-AS-SST-M16x58 | 80 | M16 | 101 | 104 | 58 | 43 | 24 | 24 | 24 | 18000 | 228 | 254 |
| 324625 | LV.A-80-24-SST-M16x98 | 328625 | LV.A-80-24-AS-SST-M16x98 | 80 | M16 | 141 | 144 | 98 | 43 | 24 | 24 | 24 | 18000 | 280 | 306 |
| 324641 | LV.A-80-24-SST-M16x138 | 328641 | LV.A-80-24-AS-SST-M16x138 | 80 | M16 | 181 | 184 | 138 | 43 | 24 | 24 | 24 | 18000 | 331 | 357 |
| 324661 | LV.A-80-24-SST-M16x158 | 328661 | LV.A-80-24-AS-SST-M16x158 | 80 | M16 | 201 | 204 | 158 | 43 | 24 | 24 | 24 | 18000 | 359 | 385 |
| 324725 | LV.A-80-24-SST-M20x98 | 328725 | LV.A-80-24-AS-SST-M20x98 | 80 | M20 | 141 | 144 | 98 | 43 | 24 | 24 | 24 | 18000 | 352 | 378 |
| 324741 | LV.A-80-24-SST-M20x138 | 328741 | LV.A-80-24-AS-SST-M20x138 | 80 | M20 | 181 | 184 | 138 | 43 | 24 | 24 | 24 | 18000 | 432 | 458 |
| 324761 | LV.A-80-24-SST-M20x158 | 328761 | LV.A-80-24-AS-SST-M20x158 | 80 | M20 | 201 | 204 | 158 | 43 | 24 | 24 | 24 | 18000 | 472 | 498 |
| 324781 | LV.A-80-24-SST-M20x198 | 328781 | LV.A-80-24-AS-SST-M20x198 | 80 | M20 | 241 | 244 | 198 | 43 | 24 | 24 | 24 | 18000 | 577 | 583 |
| 324825 | LV.A-80-24-SST-M24x98 | 328825 | LV.A-80-24-AS-SST-M24x98 | 80 | M24 | 141 | 144 | 98 | 43 | 24 | 24 | 24 | 18000 | 452 | 478 |
| 324861 | LV.A-80-24-SST-M24x158 | 328861 | LV.A-80-24-AS-SST-M24x158 | 80 | M24 | 201 | 204 | 158 | 43 | 24 | 24 | 24 | 18000 | 627 | 653 |
| 324881 | LV.A-80-24-SST-M24x198 | 328881 | LV.A-80-24-AS-SST-M24x198 | 80 | M24 | 241 | 244 | 198 | 43 | 24 | 24 | 24 | 18000 | 748 | 774 |
| 325451 | LV.A-100-14-SST-M8x43 | 329451 | LV.A-100-14-AS-SST-M8x43 | 100 | M8 | 76 | 79 | 43 | 33 | 24 | 14 | 14 | 18000 | 91 | 146 |
| 325453 | LV.A-100-14-SST-M8x68 | 329453 | LV.A-100-14-AS-SST-M8x68 | 100 | M8 | 101 | 104 | 68 | 33 | 24 | 14 | 14 | 18000 | 103 | 158 |
| 325461 | LV.A-100-14-SST-M10x43 | 329461 | LV.A-100-14-AS-SST-M10x43 | 100 | M10 | 76 | 79 | 43 | 33 | 24 | 14 | 14 | 18000 | 100 | 155 |
| 325463 | LV.A-100-14-SST-M10x68 | 329463 | LV.A-100-14-AS-SST-M10x68 | 100 | M10 | 101 | 104 | 68 | 33 | 24 | 14 | 14 | 18000 | 112 | 167 |
| 325465 | LV.A-100-14-SST-M10x98 | 329465 | LV.A-100-14-AS-SST-M10x98 | 100 | M10 | 131 | 134 | 98 | 33 | 24 | 14 | 14 | 18000 | 126 | 181 |
| 325471 | LV.A-100-14-SST-M12x43 | 329471 | LV.A-100-14-AS-SST-M12x43 | 100 | M12 | 76 | 79 | 43 | 33 | 24 | 14 | 14 | 18000 | 110 | 165 |
| 325473 | LV.A-100-14-SST-M12x68 | 329473 | LV.A-100-14-AS-SST-M12x68 | 100 | M12 | 101 | 104 | 68 | 33 | 24 | 14 | 14 | 18000 | 127 | 182 |
| 325475 | LV.A-100-14-SST-M12x98 | 329475 | LV.A-100-14-AS-SST-M12x98 | 100 | M12 | 131 | 134 | 98 | 33 | 24 | 14 | 14 | 18000 | 148 | 203 |
| 325477 | LV.A-100-14-SST-M14x68 | 329477 | LV.A-100-14-AS-SST-M14x68 | 100 | M14 | 101 | 104 | 68 | 33 | 24 | 14 | 14 | 18000 | 149 | 204 |
| 325479 | LV.A-100-14-SST-M14x98 | 329479 | LV.A-100-14-AS-SST-M14x98 | 100 | M14 | 131 | 134 | 98 | 33 | 24 | 14 | 14 | 18000 | 170 | 225 |
| 325480 | LV.A-100-14-SST-M14x148 | 329480 | LV.A-100-14-AS-SST-M14x148 | 100 | M14 | 181 | 184 | 148 | 33 | 24 | 14 | 14 | 18000 | 253 | 308 |
| 325481 | LV.A-100-14-SST-M16x68 | 329481 | LV.A-100-14-AS-SST-M16x68 | 100 | M16 | 101 | 104 | 68 | 33 | 24 | 16 | 14 | 18000 | 171 | 226 |
| 325483 | LV.A-100-14-SST-M16x108 | 329483 | LV.A-100-14-AS-SST-M16x108 | 100 | M16 | 141 | 144 | 108 | 33 | 24 | 16 | 14 | 18000 | 223 | 278 |
| 325485 | LV.A-100-14-SST-M16x148 | 329485 | LV.A-100-14-AS-SST-M16x148 | 100 | M16 | 181 | 184 | 148 | 33 | 24 | 16 | 14 | 18000 | 275 | 330 |
| 325487 | LV.A-100-14-SST-M16x168 | 329487 | LV.A-100-14-AS-SST-M16x168 | 100 | M16 | 201 | 204 | 168 | 33 | 24 | 16 | 14 | 18000 | 301 | 356 |
| 325521 | LV.A-100-24-SST-M16x58 | 329521 | LV.A-100-24-AS-SST-M16x58 | 100 | M16 | 101 | 104 | 58 | 43 | 24 | 24 | 24 | 25000 | 254 | 308 |
| 325525 | LV.A-100-24-SST-M16x98 | 329525 | LV.A-100-24-AS-SST-M16x98 | 100 | M16 | 141 | 144 | 98 | 43 | 24 | 24 | 24 | 25000 | 357 | 411 |
| 325541 | LV.A-100-24-SST-M16x138 | 329541 | LV.A-100-24-AS-SST-M16x138 | 100 | M16 | 181 | 184 | 138 | 43 | 24 | 24 | 24 | 25000 | 357 | 411 |
| 325561 | LV.A-100-24-SST-M16x158 | 329561 | LV.A-100-24-AS-SST-M16x158 | 100 | M16 | 201 | 204 | 158 | 43 | 24 | 24 | 24 | 25000 | 385 | 439 |
| 325625 | LV.A-100-24-SST-M20x98 | 329625 | LV.A-100-24-AS-SST-M20x98 | 100 | M20 | 141 | 144 | 98 | 43 | 24 | 24 | 24 | 25000 | 378 | 432 |
| 325641 | LV.A-100-24-SST-M20x138 | 329641 | LV.A-100-24-AS-SST-M20x138 | 100 | M20 | 181 | 184 | 138 | 43 | 24 | 24 | 24 | 25000 | 458 | 512 |
| 325661 | LV.A-100-24-SST-M20x158 | 329661 | LV.A-100-24-AS-SST-M20x158 | 100 | M20 | 201 | 204 | 158 | 43 | 24 | 24 | 24 | 25000 | 498 | 552 |
| 325681 | LV.A-100-24-SST-M20x198 | 329681 | LV.A-100-24-AS-SST-M20x198 | 100 | M20 | 241 | 244 | 198 | 43 | 24 | 24 | 24 | 25000 | 583 | 637 |
| 325725 | LV.A-100-24-SST-M24x98 | 329725 | LV.A-100-24-AS-SST-M24x98 | 100 | M24 | 141 | 144 | 98 | 43 | 24 | 24 | 24 | 25000 | 478 | 532 |
| 325761 | LV.A-100-24-SST-M24x158 | 329761 | LV.A-100-24-AS-SST-M24x158 | 100 | M24 | 201 | 204 | 158 | 43 | 24 | 24 | 24 | 25000 | 653 | 707 |
| 325781 | LV.A-100-24-SST-M24x198 | 329781 | LV.A-100-24-AS-SST-M24x198 | 100 | M24 | 241 | 244 | 198 | 43 | 24 | 24 | 24 | 25000 | 774 | 828 |
| 326521 | LV.A-125-24-SST-M16x58 | 330221 | LV.A-125-24-AS-SST-M16x58 | 125 | M16 | 125 | 128 | 58 | 67 | 46 | 24 | 24 | 28000 | 389 | 515 |
| 326525 | LV.A-125-24-SST-M16x98 | 330225 | LV.A-125-24-AS-SST-M16x98 | 125 | M16 | 165 | 168 | 98 | 67 | 46 | 24 | 24 | 28000 | 441 | 567 |
| 326541 | LV.A-125-24-SST-M16x138 | 330241 | LV.A-125-24-AS-SST-M16x138 | 125 | M16 | 205 | 208 | 138 | 67 | 46 | 24 | 24 | 28000 | 492 | 618 |
| 326561 | LV.A-125-24-SST-M16x158 | 330261 | LV.A-125-24-AS-SST-M16x158 | 125 | M16 | 225 | 228 | 158 | 67 | 46 | 24 | 24 | 28000 | 520 | 646 |
| 326625 | LV.A-125-24-SST-M20x98 | 330325 | LV.A-125-24-AS-SST-M20x98 | 125 | M20 | 165 | 168 | 98 | 67 | 46 | 24 | 24 | 28000 | 513 | 639 |
| 326641 | LV.A-125-24-SST-M20x138 | 330341 | LV.A-125-24-AS-SST-M20x138 | 125 | M20 | 205 | 208 | 138 | 67 | 46 | 24 | 24 | 28000 | 633 | 759 |
| 326661 | LV.A-125-24-SST-M20x158 | 330361 | LV.A-125-24-AS-SST-M20x158 | 125 | M20 | 225 | 228 | 158 | 67 | 46 | 24 | 24 | 28000 | 633 | 759 |
| 326681 | LV.A-125-24-SST-M20x198 | 330381 | LV.A-125-24-AS-SST-M20x198 | 125 | M20 | 265 | 268 | 198 | 67 | 46 | 24 | 24 | 28000 | 718 | 844 |
| 326725 | LV.A-125-24-SST-M24x98 | 330425 | LV.A-125-24-AS-SST-M24x98 | 125 | M24 | 165 | 168 | 98 | 67 | 46 | 24 | 24 | 28000 | 613 | 739 |
| 326761 | LV.A-125-24-SST-M24x158 | 330461 | LV.A-125-24-AS-SST-M24x158 | 125 | M24 | 225 | 228 | 158 | 67 | 46 | 24 | 24 | 28000 | 788 | 914 |
| 326781 | LV.A-125-24-SST-M24x198 | 330481 | LV.A-125-24-AS-SST-M24x198 | 125 | M24 | 265 | 268 | 198 | 67 | 46 | 24 | 24 | 28000 | 909 | 1035 |

* The max static load is the value above which the load applied to the element may cause some plastic material breakage, in particular conditions of use. Obviously, a factor that takes into consideration the importance and the safety level of the specific application must be applied to this value.
Data with no-slip disk mounted.



Levelling elements and supports