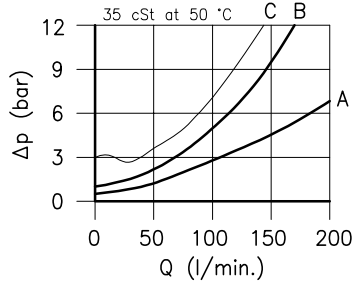
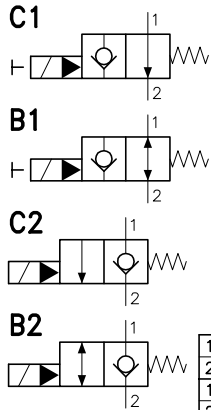


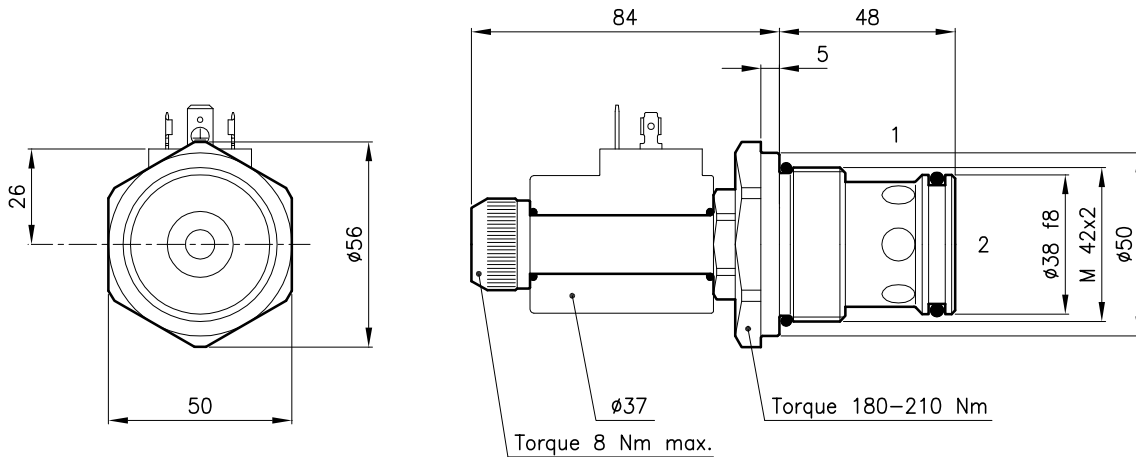
**Technical features**



	22C1	22B1	22C2	22B2
1 → 2 De-en.	curve A	curve A	not allowed	not allowed
2 → 1 De-en.	not allowed	curve A	curve B	curve B
1 → 2 Energ.	not allowed	not allowed	curve A	curve A
2 → 1 Energ.	curve C	curve C	not allowed	curve A

Cavity (For dimensions see catalogue 17.000)	S 70/2
Max. flow (l/min.)	200
Max. pressure (bar)	350
Response time (ms) It change in function of circuit, pressure, flow and fluid viscosity.	80 - 120 (Mean value)
Fluid viscosity range (cSt)	2.8 - 380
Fluid temperature range (°C)	-20 +80
Mass (kg)	0.680
Hydraulic fluid; mineral oil HM and HV	ISO 6074
Recommended filtration; 19/15 ISO 4466 (25 μ absolutes)	
Standard seals in Polyurethane and Buna N	

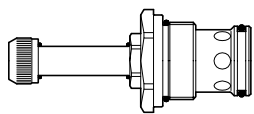
**Dimensions**



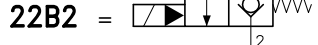
**Ordering informations**

**EPP 70/22C1-MO**

EPP 70/22.. = Valve type



Circuits



**MO** = Manual override (Only C1 and B1 version)  
(Omit if not request)

Codes:

EPP 70/22C1	75 011 103
EPP 70/22C1-MO	75 011 102
EPP 70/22B1	75 011 101
EPP 70/22B1-MO	75 011 100
EPP 70/22C2	75 011 105
EPP 70/22B2	75 011 104
External seals kit	90 620 109

EPP 70/22.. valves can be assembled on standard bodies 70-L0 series; for dimensions see catalogue 16.010

On the EPP 70 valves must be assembled the Coils B30 valves; for dimensions, features and codes see catalogues 09.900 and 09.901.