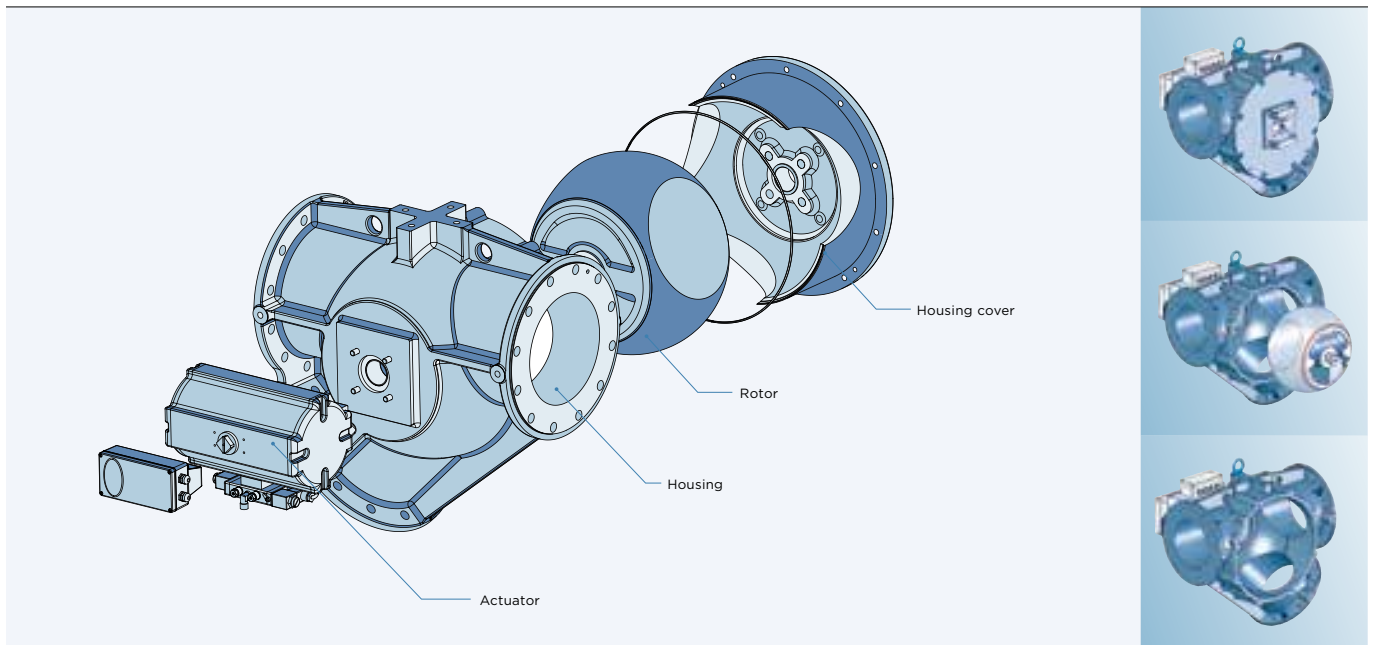


Two-Way-Diverter Valve WEK

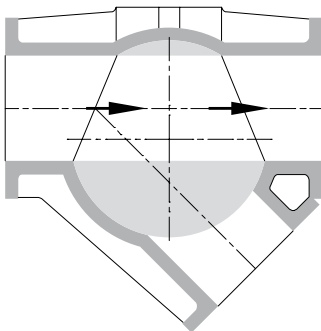


SINGLE CHANNEL DIVERTER VALVE FOR GRANULAR PRODUCTS

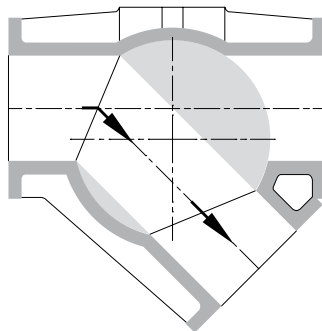
- _ In compact spherical design with 45° outlet
- _ Space-saving installation in pneumatic conveying lines or in gravity pipes at up to 6 barg



Straight through



Diverted

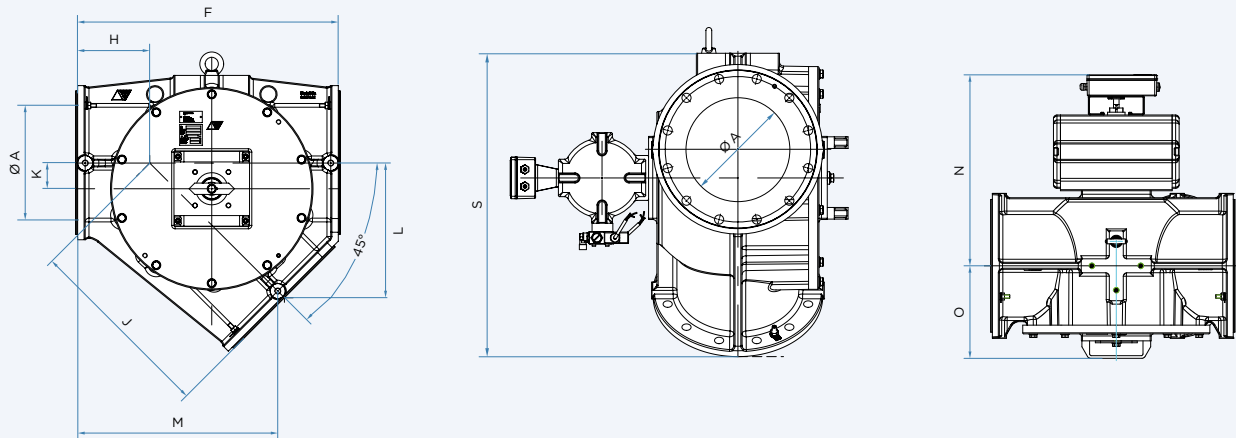


DIVERTER VALVE FOR GRANULAR PRODUCTS | WEK

PRESSURE RANGE 6 barg (87 psi) system and differential pressure
PRESSURE SURGE PROOF (OPTIONAL) 10 barg (145 psi) due to heavy duty design (on request)
OPERATION TEMPERATURE APPLICATION -20°C up to 100°C
 Suitable for fluid group 2 according PED (fluid group 1 on demand)
SEAL CONFIGURATION Seal free, tight clearance between rotor and housing
MATERIAL OF CONSTRUCTION Cast aluminium, product wetted parts hard coated

OPTIONS AND ACCESSORIES

- _ Cross seal between the outlets
- _ Product wetted parts out of stainless steel
- _ Quick-cleaning design
- _ Switchable with product (individual approval required)
- _ Actuator on the right-hand side



Shown with actuator on left-hand side

	Inlet*/Outlet*			Other dimensions									Weight appr. kg	
	A (DIN)	A (ANSI)	Ø A	F	H	J	K	L	M	N	O	S	AL	
WEK 108	ND 100	4"	108	390	103	287	40	203	306	378	144	410	39	
WEK 134	ND 125	5"	134	430	116	314	43	222	338	390	156	450	47	
WEK 150/162	ND 150	6"	150/162	500	144	356	48	252	396	429	180	501	65	
WEK 187	ND 175	7"	187	600	170	430	58	304	474	460	211	614	112	
WEK 200/213	ND 200	8"	200/213	600	170	430	58	304	474	460	211	614	103	
WEK 250/265	ND 250	10"	250/265	700	196	504	68	356	552	548	265	730	164	
WEK 300/316	ND 300	12"	300/316	800	205	595	85	421	626	622	290	853	239	
WEK 350	ND 350	14"	350	900	221	680	95	480	701	642	310	972	308	
WEK 400	ND 400	16"	400	1050	284	766	100	542	826	827	318	1080	465	

Dimensions in mm

* Drilled according to DIN PN 10 or ANSI 150 lbs