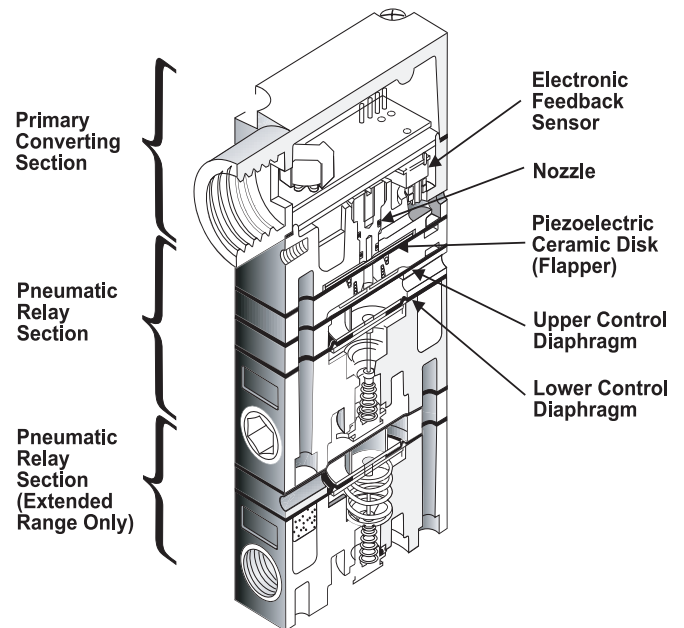


Model T7800 Series Electro-Pneumatic I/P, E/P Transducer



General Information

- The T7800 Series Transducers provide maximum versatility for precision applications.
- Field Reversible Feature provides output that is inversely proportional to input signal.
- RFI/EMI Protection eliminates susceptibility to electromagnetic and radio interference.
- Internal Electronic Feedback provides precise control of output pressure regardless of vibration or position.
- Damping Adjustment for optimum tuning response.
- Split range operation lets a common signal source control two or more functions.
- Compact size for use in restricted spaces.
- Various mounting configurations allow installation flexibility for most applications.
- NEMA 4X, Type 4 Enclosure and IP65 rated for indoor and outdoor installations.
- Canadian Registration Numbers (CRN) certification for all territories and provinces.



Cross Section

Model T7800 Transducer Detail Drawing

Operating Principles

STANDARD RANGE

The Model T7800 Series converts a DC input signal to a linear proportional pneumatic output. It includes the Primary Converting Section and the pneumatic Relay Section. The Piezoelectric Ceramic Actuator, in the Primary Converting Section, functions as a Flapper. The Flapper and Nozzle work together to control the signal pressure. The signal pressure that sets the output pressure acts on the Upper Control Diaphragm in the Pneumatic Relay Section. The Lower Control Diaphragm in the Pneumatic Relay Section senses the output pressure.

EXTENDED RANGE

In the Extended Range units, an additional Relay Section amplifies the output pressure.

For more information, please refer to cross sectional diagram.

STANDARD RANGE

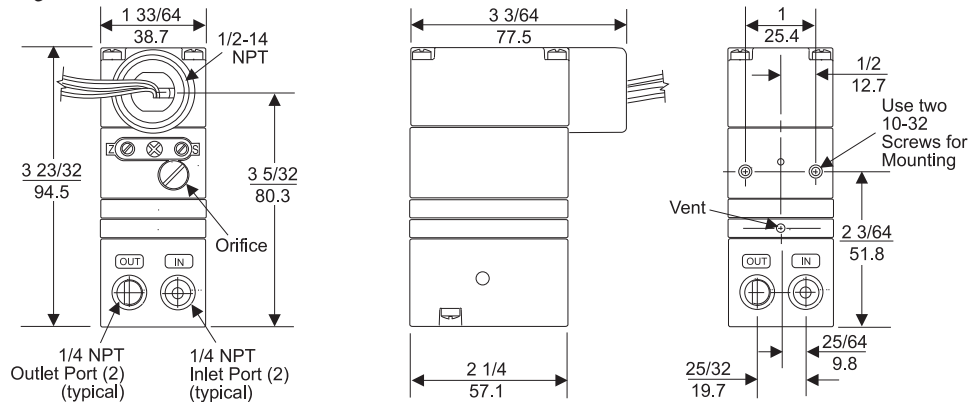
Specifications

		SET POINT			
		3	9	15	30
		[0.2]	[0.6]	[1.0]	[2.0]
		(20)	(60)	(100)	(200)
	psig [BAR] (kPa)				
Maximum Air Consumption	All Ranges SCFH	3.5 (.10 m ³ /HR)	7.0 (.20 m ³ /HR)	9.5 (.27 m ³ /HR)	13.5 (.38 m ³ /HR)
Flow Rate (SCFM)		2.5 (4.25 m ³ /HR) @ 25 psig, [1.7 BAR], (170 kPa) supply & 9 psig, [0.6 BAR], (60 kPa) Output		OR	9.0 (15.3 m ³ /HR) @ 120 psig, [8.0 BAR], (800 kPa) supply & 9 psig, [0.6 BAR], (60 kPa) Output
Temperature Range	Operating Storage	-40°F to + 160°F (-40°C to + 71.2°C) -40°F to + 180°F (-40°C to + 82.2°C)			
Span/Zero Adjustments		Screwdriver adjustments located on front of unit			
Required Operating Voltages		Two Wire Current Input 7.2 VDC @ 20 mA (4-20 mA signal)			
Supply Voltages		Three Wire Voltage Input 7.2-30 VDC, less than 3 mA			
Signal Impedance		Three Wire Voltage Input 10 Kiloohms			
		OUTPUT RANGE			
		3-15	3-27	6-30	
		[0.2-1.0]	[0.2-1.8]	[0.4-2.0]	
		(20-100)	(20-180)	(40-200)	
	psig [BAR] (kPa)				
Input Range		4-20 mA DC, 0-10 VDC, 1-9 VDC			
Supply Pressure ¹		20-120 [1.5-8.0] (150-800)	32-120 [2.2-8.0] (220-800)	35-120 [2.4-8.0] (240-800)	
Minimum Span		5 [0.35] (35)	10 [0.7] (70)	10 [0.7] (70)	
Frequency Response		-3 db @ 5 Hz per ISA S26.4.3.1 load configuration A.			
Accuracy (ISA S51.1)		0.25% Full Scale Guaranteed 0.15% Full Scale Typical			
Hysteresis (ISA S51.1)		0.1% Full Scale			
Deadband		0.02% Full Scale			
Repeatability (ISA S51.1)		0.1% Full Scale			
Position Effect		No Measurable Effect			
Vibration Effect		Less than ±1% of Span under the following conditions: 5-15 Hz @ 0.8 inches constant displacement 15-500 Hz @ 10 Gs.			
Reverse Polarity Protection		No damage occurs from reversal of normal supply current (4-20 mA) or from misapplication of up to 60 mA.			
RFI/EMI Effect		Less than 0.5% of span @ 30 ʸ/m class 3 Band ABC (20-1000 mHz) per SAMA PMC 33.1 1978 and less than 0.5% of Span @ 10 ʸ/m level, to 2 GHz Band per EN 61000-4-3:1998 +A1 EMC Directive 89/336/EEC European Norms EN 61326			
Supply Pressure Effect		No Measurable Effect			
Temperature Effect		[±0.5% +0.04% / °F Temperature Change] of Span typical			
Materials of Construction		Body and Housing Chromate Treated Aluminum Orifice Nickel Plated Brass & Sapphire Trim Stainless Steel, Brass & Zinc Plated Steel Elastomers Nitrile Finish Epoxy Powder Coating			

¹ Supply Pressure must be no less than 5 psig, [0.35 BAR], (35 kPa), above maximum output

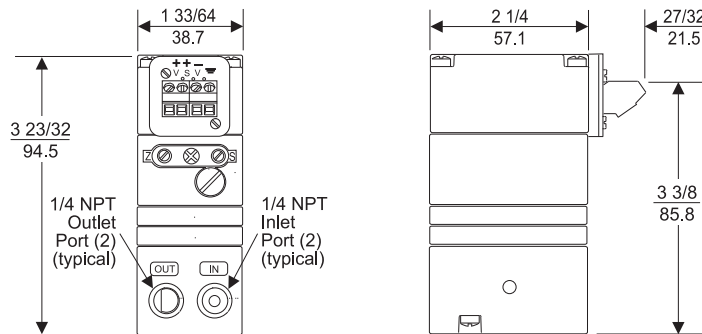
Outline Dimensions

Model TA7800 Standard Range

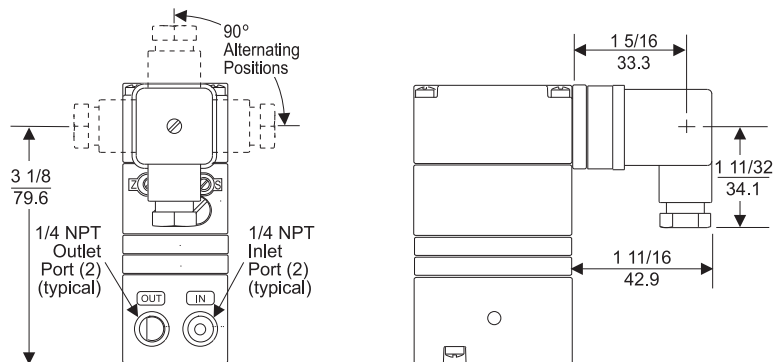


Note: Unused IN and OUT Ports are plugged (typical)

Model TT7800 Standard Range

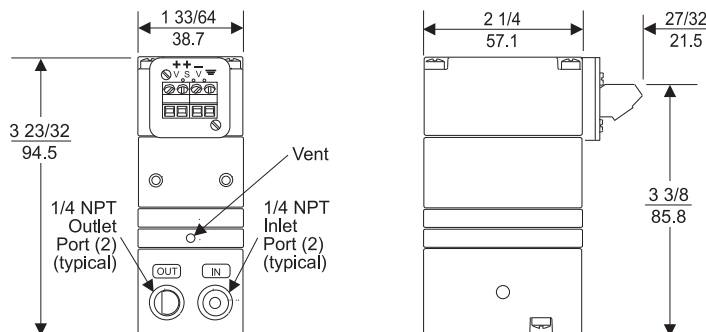


Model TD7800 Standard Range



Model TR7800 Standard Range

Model TR7800 for use with TR Manifold Rack Kit. TR7800 unit same as TT7800 except terminal block is located on rear.



EXTENDED RANGE

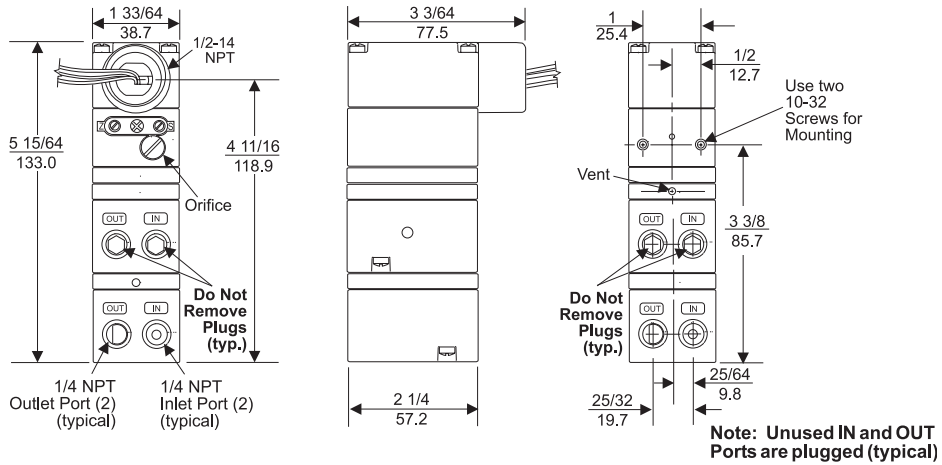
Specifications

		SET POINT				
		0	15	30	60	120
		[0]	[1.0]	[2.0]	[4.0]	[8.0]
		(0)	(100)	(200)	(400)	(800)
	psig [BAR] (kPa)					
Maximum Air Consumption	0-30 psig SCFH	3.1 (.09 m ³ /HR)	7.8 (.22 m ³ /HR)	11.8 (.33 m ³ /HR)		
	0-60 psig SCFH	1.6 (0.4 m ³ /HR)	4.7 (.13 m ³ /HR)	7.8 (.22 m ³ /HR)	13.3 (.37 m ³ /HR)	
	0-120 psig SCFH	0.5 (.01 m ³ /HR)		3.8 (.11 m ³ /HR)	7.6 (.21 m ³ /HR)	15.1 (.42 m ³ /HR)
Flow Rate (SCFM)		11.0 (18.7 m ³ /HR) @ 150 psig, [10 BAR], (1000 kPa) supply & midscale output				
Temperature Range	Operating Storage	-40°F to +160°F (-40°C to +71.2°C) -40°F to +180°F (-40°C to +82.2°C)				
Span/Zero Adjustments		Screwdriver adjustments located on front of unit				
Required Operating Voltages		Two Wire Current Input 7.2 VDC @ 20 mA (4-20 mA signal)				
Supply Voltages		Three Wire Voltage Input 7.2 - 30 VDC, less than 3 mA				
Signal Impedance		Three Wire Voltage Input 10 Kilohms				
		OUTPUT RANGE				
	psig [BAR] (kPa)	0-30 [0-2.0] (0-200)	0-60 [0-4.0] (0-400)	0-120 [0-8.0] (0-800)		
Input Range		4-20 mA DC, 0-10 VDC, 1-9 VDC				
Supply Pressure ¹		35-150 [2.4-10] (240-1000)	65-150 [4.6-10] (460-1000)	125-150 [8.8-10] (880-100)		
Minimum Span		12.5 [0.85] (85)	25 [1.5] (150)	50 [3.0] (300)		
Frequency Response		-3 db @ 2 Hz per ISA S26.4.3.1 load configuration A.				
Accuracy (ISA S51.1)		0.25% Full Scale Guaranteed 0.15% Full Scale Typical				
Hysteresis (ISA S51.1)		0.25% Full Scale				
Deadband		0.02% Full Scale				
Repeatability (ISA S51.1)		0.1% Full Scale				
Position Effect		0.125% @ 90° & 0.25% @ 180°				
Vibration Effect		Less than ±1% of Span under the following conditions: 5-15 Hz @ 0.8 inches constant displacement 15-500 Hz @ 10 Gs.				
Reverse Polarity Protection		No damage occurs from reversal of normal supply current (4-20 mA) or from misapplication of up to 60 mA.				
RFI/EMI Effect		Less than 0.5% of span @ 30 μ m class 3 Band ABC (20-1000 mHz) per SAMA PMC 33.1 1978 and less than 0.5% of Span @ 10 μ m level, to 2 GHz Band per EN 61000-4-3:1998 +A1 EMC Directive 89/336/EEC European Norms EN 61326				
Supply Pressure Effect		< 0.1 psig change for 10 psig supply change				
Temperature Effect		[±0.5% +0.06% / °F Temperature Change] of Span typical				
Materials of Construction		Body and Housing Chromate Treated Aluminum Orifice Nickel Plated Brass & Sapphire Trim Stainless Steel, Brass & Zinc Plated Steel Elastomers Nitrile Finish Epoxy Powder Coating				

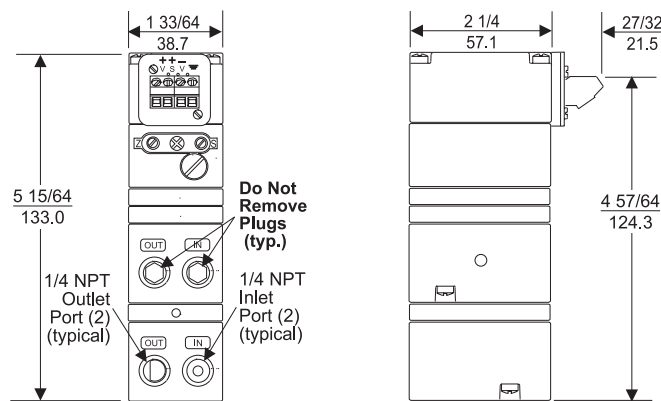
¹ Supply Pressure must be no less than 5 psig, [0.35 BAR], (35 kPa), above maximum output

Outline Dimensions

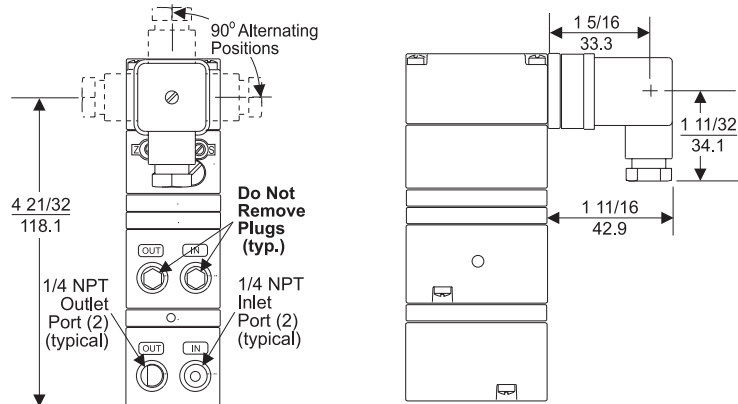
Model TA7800 Extended Range



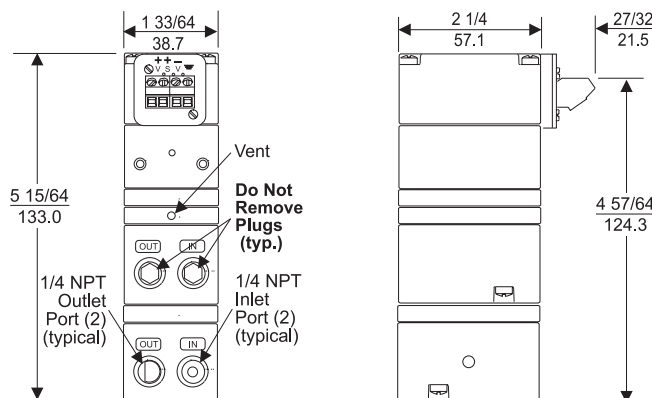
Model TT7800 Extended Range



Model TD7800 Extended Range



Model TR7800 Extended Range



Model TR7800 for use with TR Manifold Rack Kit. TR7800 unit same as TT7800 except terminal block is located on rear.

INTRINSICALLY SAFE
(4-20 mA Only) **DIVISION 2**

**Factory Mutual (FM)
Approvals**

Entity Parameters	
V _{max} ¹ = 30 VDC I _{max} ² = 200 mA	C _i ³ = 0 μ F L _i ⁴ = 0 mH
¹ V _{max} = Max. Voltage ² I _{max} = Max. Current	³ C _i = Capacitance ⁴ L _i = Inductance

Non-Incendive Field Wiring Parameters	
V _{max} ¹ = 30 VDC	C _i ³ = 0 μ F L _i ⁴ = 0 mH
¹ V _{max} = Max. Voltage	³ C _i = Capacitance ⁴ L _i = Inductance

TDFI7800, TAFI7800
Class I, Division 1, Groups C and D;
Class II, Division 1, Groups E,F and G;
Class III, Division 1, Fibers;
NEMA 4X Enclosure;
Temperature Code T4, T_{amb} = -20 °C to 65 °C

**TDFI7800, TAFI7800,
TDFN7800, TAFN7800**
Class I, Division 2, Groups A, B, C and D;
Suitable for
Class II, Division 2, Groups F and G;
Class III, Division 2; NEMA 4X Enclosure;
Non-Incendive 4-20 mA voltage input
units ; Temperature Code T4.

TTFI7800, TRFI7800
Class I, Division 1, Groups C and D;
Temperature Code T4, T_{amb} = -20 °C to 65 °C

**TTFI7800, TRFI7800,
TTFN7800, TRFN7800**
Class I, Division 2, Groups A, B, C and D;
Non-Incendive 4-20 mA voltage input
units; Temperature Code T4.

**Canadian Standards
Association (CSA)
Approvals**

Approvals are valid when connected through a Shunt Zener Diode Safety Barrier meeting the following parametric requirements:	
System Type 1:	Single Channel Polarized Rated: 28.5V Max. 300 Ohm Min.
System Type 2:	Dual Channel Polarized Rated 28.5V Max. 300 Ohm Min. and 10V Max. 50 Ohm Min.
System Type 3:	Dual Channel Polarized Rated: 28.5V Max. 300 Ohm Min. and 28V Diode return per channel

TDCI7800, TACI7800
Class I, Division 1, Groups C and D;
Class II, Division 1, Groups E, F and G;
Type 4 Enclosure;
Rated 4-20 mA, 30 VDC maximum;
Temperature Code T6.

TDCI7800, TTCI7800, TRCI7800
Class I, Division 2, Groups A, B, C and D;
Rated 4-20 mA, 30 VDC maximum;
Temperature Code T6.

TTCI7800, TRCI7800
Class I, Division 1, Groups C and D;
Rated 4-20 mA, 30VDC maximum;
Temperature Code T6.

TACI7800
Class I, Division 2, Groups A, B, C and D;
Class II, Division 2, Groups E, F and G;
Type 4 Enclosure;
Rated 4-20 mA, 30 VDC maximum;
Temperature Code T6.

ATEX Approvals

Transducer Parameters	
U _{max} ¹ = 28 V I _{max} ² = 100 mA	P _i ³ = 0.7 W C _i ⁴ = 0 L _i ⁵ = 0
¹ U _{max} = Max. Voltage ² I _{max} = Max. Current	³ P _i = Max. Power ⁴ C _i = Capacitance ⁵ L _i = Inductance

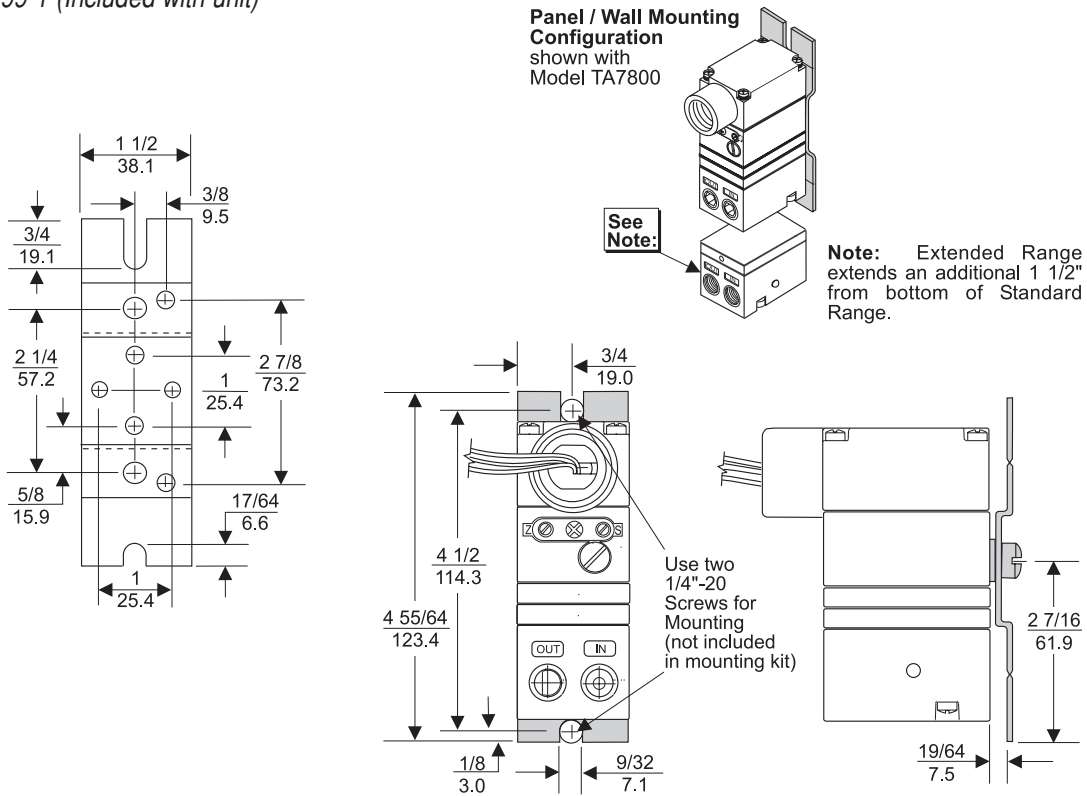
TAEI7800, TDEI7800
EEx ia IIB, T4, T_{amb} = -20 °C to 72 °C
⊕ Ex II 1G (T4), II 1D (T85 °C)
IP65 Enclosure

TTEI7800, TREI7800
EEx ia IIB, T4, T_{amb} = -20 °C to 72 °C
⊕ Ex II 1G (T4)

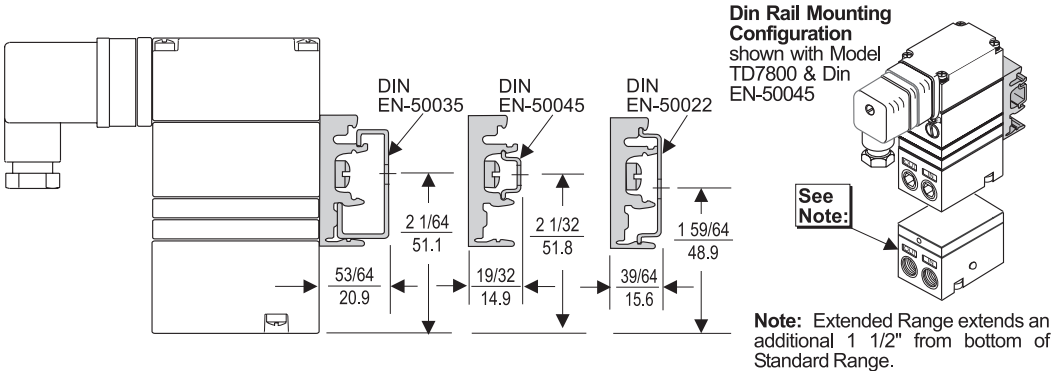


Mounting Kit

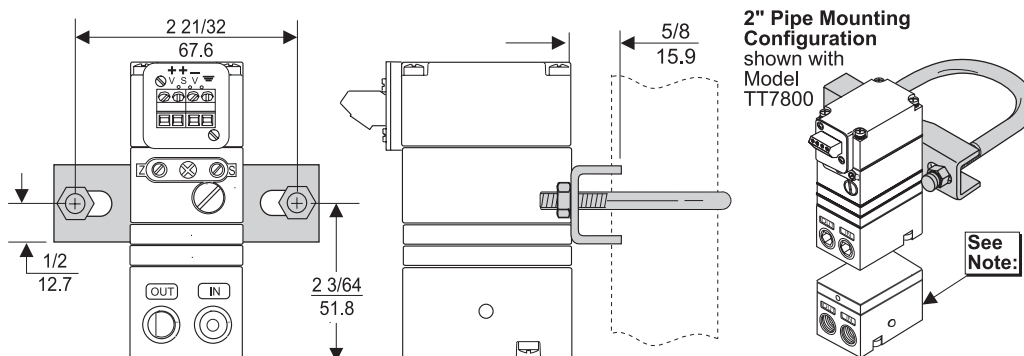
EA-16799-1 (Included with unit)



EA-16893 (Included with unit)

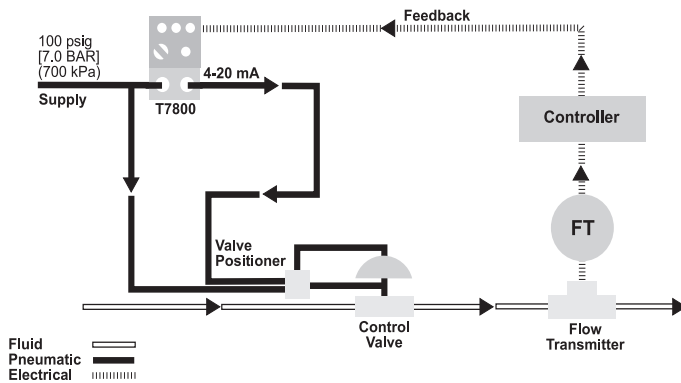


EA-19254-1 (Sold separately)



Typical Application

The Model T7800 Transducer converts an electric current input signal from a controller to a pneumatic output signal for a valve positioner. The controller compares the signal from the flow transmitter (FT) to the controller setpoint and produces the electric current signal for the Model T7800. The Model T7800 output is transmitted to a valve positioner that opens and closes a control valve to maintain the desired flow rate.



Installation

For installation instructions, see the *Fairchild T7800 Standard Range Electro-Pneumatic Transducer Installation, Operation and Maintenance Instructions*, IS-50T7800S and the *Fairchild T7800 Extended Range Electro-Pneumatic Transducer Installation, Operation and Maintenance Instructions*, IS-50T7800E.

Optional manifolds are available to mount 3, 5, 10 or 15 transducers. An optional rack kit is available to mount 10 transducers in a standard 19" rack. For more information, see the *Fairchild Manifold and Rack Kit*, CS-4000MRKT.



Catalog Information

Catalog Number	T			7800			
Electrical Connections							
1/2 NPT Conduit	A						
Fitting with Pigtail							
DIN43650 Connection	D						
Rack Mount	R						
Terminal Block	T						
Underwriting Group							
Canadian Standards			C				
ATEX			E				
Factory Mutual			F				
None (leave blank)							
Approval Class							
Intrinsically Safe ¹				I			
Non-Incendive (Division 2) ²				N			
None (leave blank)							
Input							
4-20 mA						4	
1-5 VDC ⁶						5	
0-5 VDC ⁶						7	
1-9 VDC						9	
0-10 VDC						0	
Output							
3-15 psig ³							01
3-27 psig ³							02
6-30 psig ³							03
0-30 psig ⁴							04
0-60 psig ⁴							05
0-120 psig ⁴							06
[0.2-1.0 BAR] ³							11
[0.2-1.8 BAR] ³							12
[0.4-2.0 BAR] ³							13
[0-2.0 BAR] ⁴							14
[0-4.0 BAR] ⁴							15
[0-8.0 BAR] ⁴							16
(20-100 kPa) ³							21
(20-180 kPa) ³							22
(40-200 kPa) ³							23
(0-200 kPa) ⁴							24
(0-400 kPa) ⁴							25
(0-800 kPa) ⁴							26
Options							
BSPT Thread ⁵							U

¹ Intrinsically Safe Approval includes Non-Incendive (Division 2), available on 4-20 mA units only.

² Non-Incendive (Division 2) approval on FM voltage input units only

³ Standard Range

⁴ Extended Range

⁵ Available on all units **EXCEPT** Factory Mutual and Canadian Standards Underwriting Group units.

⁶ Limited Availability

