

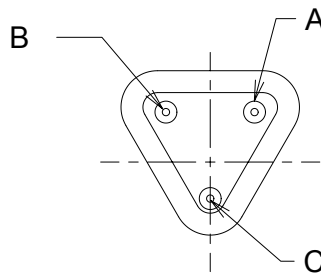
PART NUMBER
483002045

REV.
03

TECHNICAL DATA

TEST	DATA	RESULTS
OPERATIVE TEST	8V a 70°C 30V a 70°C 30V a 90°C	≥ 10 CYCLES ≥ 10 CYCLES ≥ 10 CYCLES
REVERSE POLARITY	-30V a 25°C SPYKE -80V FOR 5 msec	OK
SHORT CIRCUIT PROTECTED OUTPUT		OK
CURRENT ABSORBED ACCORDING TO TEMPERATURE	-18° ÷ +80°C	< 200 mA
CURRENT ABSORBED ACCORDING TO APPLIED TENSION	0 ÷ 24 V	< 250 mA
INDUCTIVE LOADS	500 mA CONTINUOUS -1000 mA PEAK	
POSITIVE VOLTAGE	MAX 80 V FOR 5 msec FREQUENCY 5 sec	
PEAK ON THE SIG	MAX ±60V FREQUENCY 1 sec	
SUPPRESSOR ELEMENT	HARRIS 24Z50 OR EQUIVALENT	
PROTECTION CLASS	IP 65	
OUT		NPN
SUPPLY VOLTAGE	8.5 VDC (MIN)	24 VDC (MAX)
REVERSE POLARITY PROTECTED		

VIEW FROM V

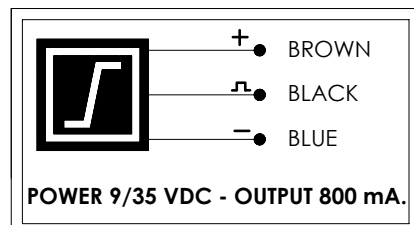


DEUTSCH IPD-USA
DT04-3P (IP 67)

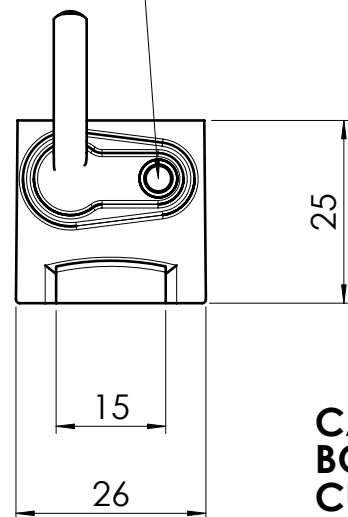
A - BROWN CABLE (+)
B - BLUE CABLE (-)
C - BLACK CABLE *

* = POSSIBLE GREEN/YELLOW

COPERCHIO



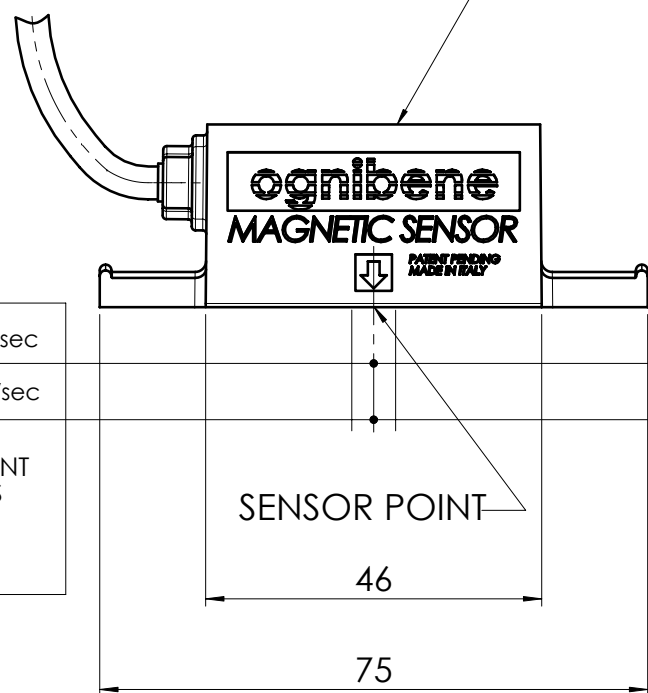
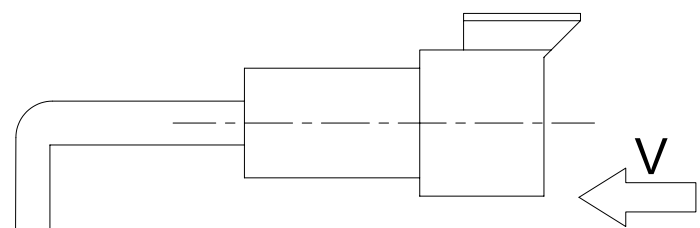
LED (RED)



CABLE LENGHT 250 mm
BOX COLOR GREEN
CUSTOMER REF.147929

MAGNETIC SENSOR WORKING ON AISI 316 BODY

PROPRIETA' DELLA OGNIBENE spa
ALL PROPERTY RIGHTS RESERVED BY OGNIBENE spa



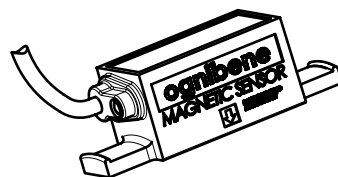
3^{+0.5}₀@ 16mm/sec
1^{+0.5}₀@ 50mm/sec

SWITCHING POINT WHEN PISTON IS APPROACHING FROM THIS SIDE

3^{+0.5}₀@ 16mm/sec
1^{+0.5}₀@ 50mm/sec

SWITCHING POINT WHEN PISTON IS APPROACHING FROM THIS SIDE

- DMOS OUTLET PORT VERTICAL POWER
- PROTECTED FROM OVERLOADING BY MEANS OF FLOW LIMITATION AND TEMPERATURE MEASURING
- INTERDEPENDENT PROTECTION FROM RESET BY INLET SIGNAL
- MOSFET POWER CHECK AND PROTECTION CIRCUITS POWER SUPPLY DRAWN FROM INPUT
- ESD PROTECTION ON ALL PINS



DRAWING BY SOLIDWORKS

6462	03	04W46	CHANGED CASE DIMENSIONS AND DRAWN WITH SOLIDWORKS	A.D.	R.F.		
5634	02	02W50	UPDATED TECHNICAL DATA AND ADDED ANTI-SPYKE SUPPRESSOR ELEMENT	F.B.	R.F.		
5554	01	02W38	UPDATED DRAWING	M.CU	R.F.		
N°REG.	REV.	DATE	REVISION	SIGN.	APPR.	OLD N°REG.	

MATERIAL VARIOUS	TREATMENT	R N/mm ²	HB	MASS Kg
ognibene	APPR. R.F.	CHECK A.B.	DESIGN M.I.	DRAWN R.F.
42100 REGGIO E. (ITALY) TEL. +39 0522 502501 FAX +39 0522 502500 www.ognibene.com	UNLESS OTHERWISE SPECIFIED METRIC. ANGLES AND FORM TOLL. AS ISO2768 mk.			Q.TY .
ISO 128	SCALE () 1:1	DATE 02W30	PART NUMBER 483002045	REV. 03 SHEET 1 OF 1
NAME MAGNETIC SENSOR NPN-N/O MSY L.250 GREEN		ASS'Y SEVERAL SEVERAL		POS. .

METRIC mm 100

SIZE A3