

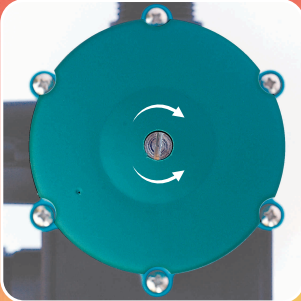
CONTROLMATIC

AUTOMATIC DEVICE FOR THE INTEGRAL CONTROL OF ELECTRIC PUMPS

PRESSURE GAUGE



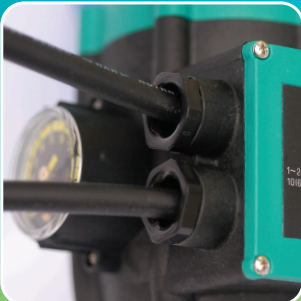
ADJ. START. PRESSURE



SOCKET PUMP



CABLES



The **CONTROLMATIC** is a compact device for the automatic control and protection of electric pumps. This patented system, includes special electronic sensors of flow and pressure integrated in the electronic circuit, which controls the correct working of the electric pump and keeps the pressure and the flow constant. Moreover, it has a safety system against pump dry working. The **CONTROLMATIC** replaces the traditional expansion tank, pressostat, retention valve and level switches, with the advantage of smaller dimensions and the elimination of periodical maintenance. It works starting automatically the electrical pump when any point of the installation is opened and it closes the pump –after 10 seconds of temporization- at closing the using point.

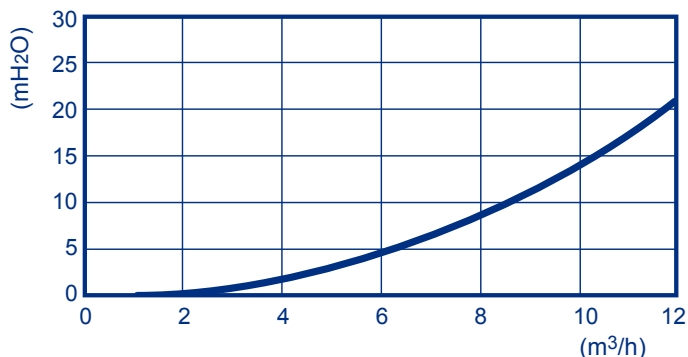
ADVANTAGES

- No maintenance.
- Installation time saving.
- Protection against water hammer effect.
- Compact and reduced dimensions.
- Removal of protecting devices (level switches).
- Avoids the pump oversizing using integrately their flow-pressure curve.
- Integrated protection system which stops the pump in case of lack of water.

CONSTRUCTIVE FEATURES

Body:	Non-toxic thermoplastic with fibre- glass
Membrane:	Special natural rubber
Spring:	Steel DIN17223 C/84.
Joints:	Special synthetic rubber
Sensor-valve:	Technical high resistance thermoplastic.
Magnets:	Alnico inserted and hermetic with ultrasound welding.
Electronic circuit:	FR4 with protective casing and Terminal strip in plastic material V0 auto-extinguishing.

PRESSURE LOSS



OPCIONES

MODEL	M	R	E	C	U	
F*_						Suitable for all models
FM	X					
FMC	X			X		
FME	X		X			
R		X				
RM	X	X				
RMC	X	X		X		
RME	X	X	X			
_/U					X	

* 12, 15 or 22 according to the pump starting pressure.

- F12: Starting pressure 1,2 bar.
 F15: Starting pressure 1,5 bar.
 F22: Starting pressure 2,2 bar
 M: Pressure gauge 10 bar.
 R: Adjusting starting pressure from 1,5 to 2,5 bar.
 E: Outlet socket for pump connection.
 C: Cables H07RN-F 1,5m length for line connection and 0,5m length with Schuko plug to pump connection.
 Under request it could be supplied with other type of cables.
 U: Fitting 3 pieces to assembly R1”M-R1”F. Suitable for all models.

Example of codification model with adjusting starting pressure and pressure gauge (M) CONTROLMATIC RM

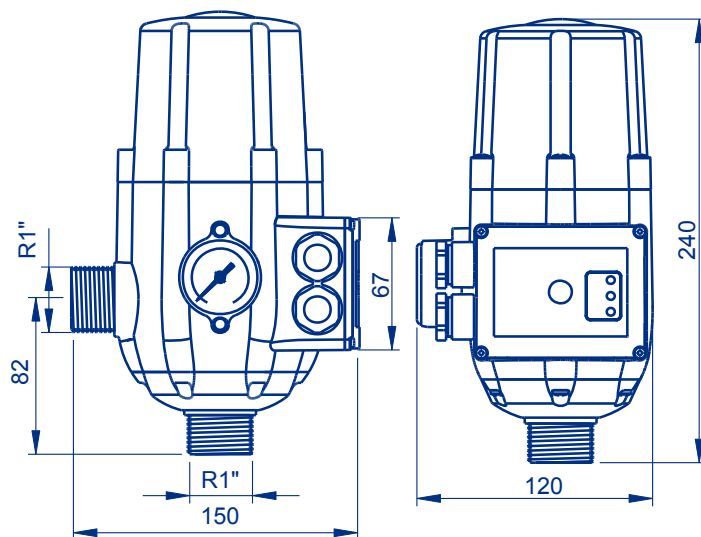
SERIAL EQUIPMENT

- Yellow Led POWER.
- Green Led ON.
- Red Led FAILURE.
- Tactile push button for manual start.
- Electronic circuit group with protection cover easily replaceable.
- Reserve against leaks in the installation.
- For other options like pressure gauge, connecting cables, adjusting starting pressure, etc, look at OPTIONS.

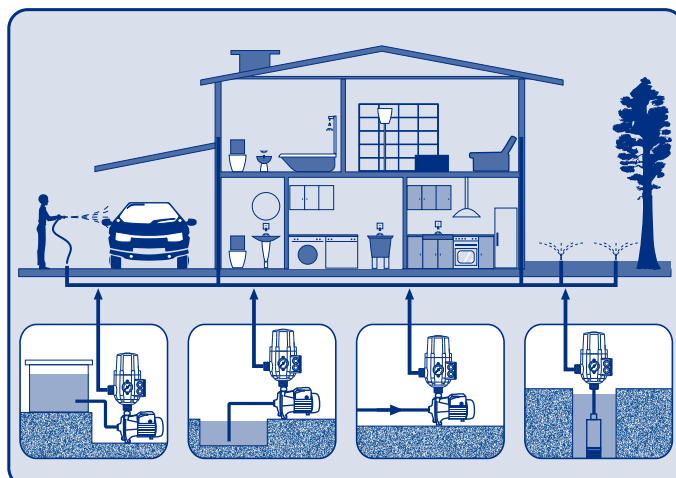
TECHNICAL FEATURES

Starting pressure::	Model F12: 1,2 bar Model F15: 1,5 bar Model F22: 2,2 bar Model R : from 1,5 to 2,5 bar
Maximum pressure.	10 bar
Connecting threads:	R1”
Operating Temperature:	0-60°C
I.P. protection degree:	IP 65
Nominal voltage:	1~220-240V
Frequency:	50/60 Hz.
Max. intensity:	16(8)A – 1,5kW (2HP)
Maximum flow:	10m ³ /hour (see attached graphic)
Nett weight:	1,15 Kg (model FM)

DIMENSIONS mm



INSTALLATION MODELS



The manufacturer can modify the device by technical or commercial reasons without any notice.