

Technical Data

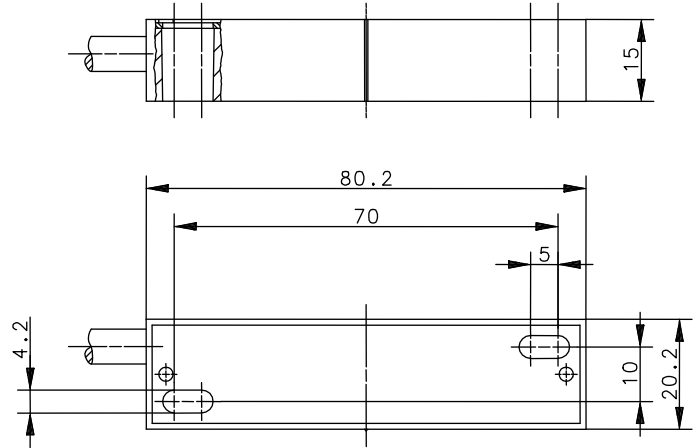
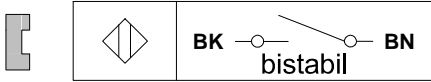
Magnetic switch

Series MA-02

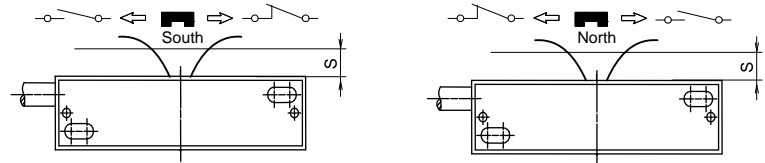
Type designation **MAA-0214-A-3**

Item number **6314402674**

Wiring diagram



Magnet	T-62 N/S
S [mm]	5 ... 40
∅ D [mm]	23,0
∅ d [mm]	4,4
h [mm]	10,0



Identifying characteristics in accordance with EN 60947-5-1 and EN 62246-1

Electrical data

Switching element function	N.O.
Reed contact:	max. switching voltage 250 V AC / DC
	max. switching current 3 A
	max. switching capacity 120 VA
	mechanical lifetime 3x10 ⁸ switchings, however, according to load resetability
Repeat accuracy	R ± 0,1 mm
Shock	under same geometrical conditions at the same temperature 50 g (11 ms, ½ Sinevawe)
Vibration	35 g (10 - 1000 Hz)

Mechanical data

Enclosure	GD-AISI12, red; encapsulated reed contact
Ambient air temperature	-10 °C ... +80 °C
Type of protection	IP67 (NEMA 4) according to IEC 529, EN 60529
Termination type	cable 2 x AWG 20 x 3 m ± 5 %; PVC -outer jacket black;
Assembly position	optional (assembly on iron means reduction of switch distance)

EU Conformity

acc. to directive 2004 / 108 / EC

Approvals



UL Listed, Ind. Cont. Eq. / Class 2 Power source

Note limited electrical data:

max. switching voltage 30 V AC / 60V DC
max. switching current 2 A
max. switching capacity 100 VA

This document will not become the contractual basis; the details included herein do not constitute any descriptions of expected conditions, so that warranties/claims for defects on account of possible variations of the actual from the here described condition are excluded. Subject to modifications and amendments.

Date of issue: 25.06.2013 / Page 1 of 1
Document: 6314402674_en / Last update: 1 / 0022-13