

Three-phase asynchronous motor

Properties: Connection: 400 V / 50 Hz three-phase system
 Optional designs for other mains voltages / frequencies
 Optional design for a frequency converter with 3 x 230 V
 Standard connection using K22 type plug-in connectors

Service life: 20,000 hours, S1 duty

Insulation mat. class: B, optional F

System of protection: IP 44, optional up to IP 65

Special model: Design for short-time duty with high performance

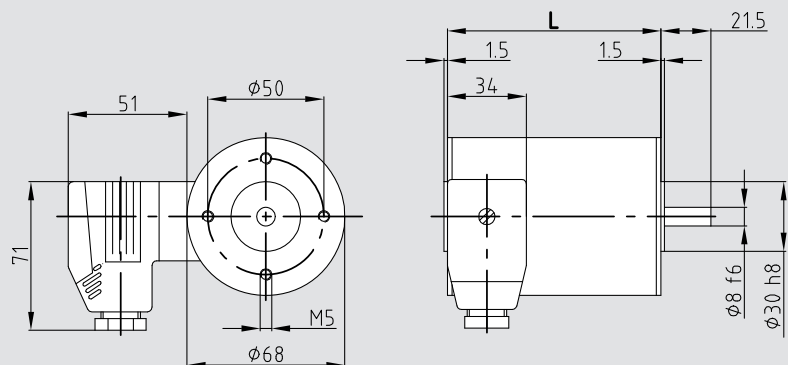
Options: Thermal protection, special shafts, special flanges, custom designed, stainless steel



Type	Name	U	AC voltage	D 642	D 662		
	Nominal voltages			400	400		
Specification	Nominal power	P ₂	W	29	40		
	Nominal speed	N _{nom}	rpm	2650	2650		
	Nominal torque	T _{nom}	Ncm	10.3	14.4		
	Starting torque	T _A	Ncm	21	30		
	Nominal current	I _{nom}	mA	85	103		
	No-load current	I ₀	mA	60	64		
Characteristics	Locked rotor speed	n _{break}	rpm	-	-		
	Locked rotor torque	T _{break}	Ncm	-	-		
	Nominal efficiency	η		0.58	0.60		
Connection	Terminal resistance	R	Ohm	697	557		
	Input power	P ₁	W	42.5	55.0		
Dynamics	Weight	m	kg	1.2	1.7		
	Moment of inertia	J	gcm ²	390	595		
Thermal	Adm. ambient temperature	T _a	°C	-20 to +40	-20 to +40		
	Max. adm. stator temperature	T _{max}	°C	+120	+120		
Coupling	Shaft diameter	d	mm	8	8		
	Max. axial force	F _a	N	20	20		
	Max. radial force	F _r	N	220	220		

Dimensions

Type	L / mm
D 642	92
D 662	112



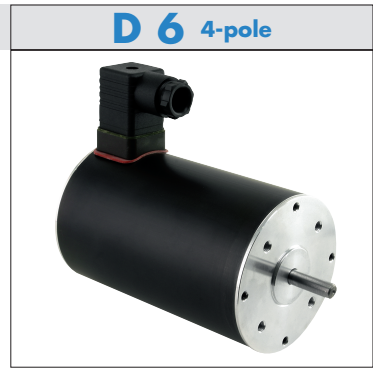
System technology

Recommended combinations other gears and extensions upon request	Worm gear	S 567	S 668	
	Spur gear	Z 6	Z 8	M 7
	Planetary gear	PM 50		
	Rotary encoder	RV 30	RI 30	
	Brake	B 3		

Three-phase asynchronous motor

Properties:

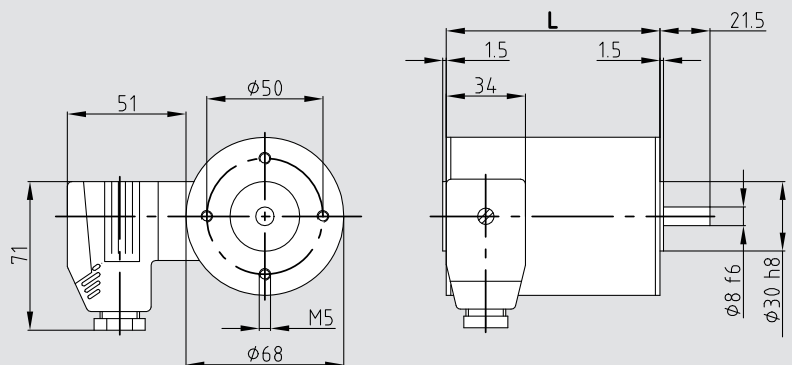
Connection:	400 V / 50 Hz three-phase system Optional designs for other mains voltages / frequencies Optional design for a frequency converter with 3 x 230 V Standard connection using K22 type plug-in connectors
Service life:	20,000 hours, S1 duty
Insulation mat.class:	B, optional F
System of protection:	IP 44, optional up to IP 65
Special model:	Design for short-time duty with high performance
Options:	Thermal protection, special shafts, special flanges, custom designed, stainless steel



Type	Name	U	AC voltage	D 644	D 664		
	Nominal voltages			400	400		
Specification	Nominal power	P ₂	W	16	20		
	Nominal speed	N _{nom}	rpm	1250	1250		
	Nominal torque	T _{nom}	Ncm	12	15.0		
	Starting torque	T _A	Ncm	22	24		
	Nominal current	I _{nom}	mA	92	100		
	No-load current	I ₀	mA	71	82		
Characteristics	Locked rotor speed	n _{break}	rpm	-	-		
	Locked rotor torque	T _{break}	Ncm	-	-		
	Nominal efficiency	η		0.39	0.39		
Connection	Terminal resistance	R	Ohm	1333	1091		
	Input power	P ₁	W	35.0	32.5		
Dynamics	Weight	m	kg	1.2	1.7		
	Moment of inertia	J	gcm ²	390	595		
Thermal	Adm. ambient temperature	T _a	°C	-20 to +40	-20 to +40		
	Max. adm. stator temperature	T _{max}	°C	+120	+120		
Coupling	Shaft diameter	d	mm	8	8		
	Max. axial force	F _a	N	20	20		
	Max. radial force	F _r	N	220	220		

Dimensions

Type	L / mm
D 644	92
D 664	112



System technology

Recommended combinations other gears and extensions upon request	Worm gear	S 567	S 668	
	Spur gear	Z 6	Z 8	M 7
Planetary gear	PM 50			
Rotary encoder	RV 30	RI 30		
Brake	B 3			