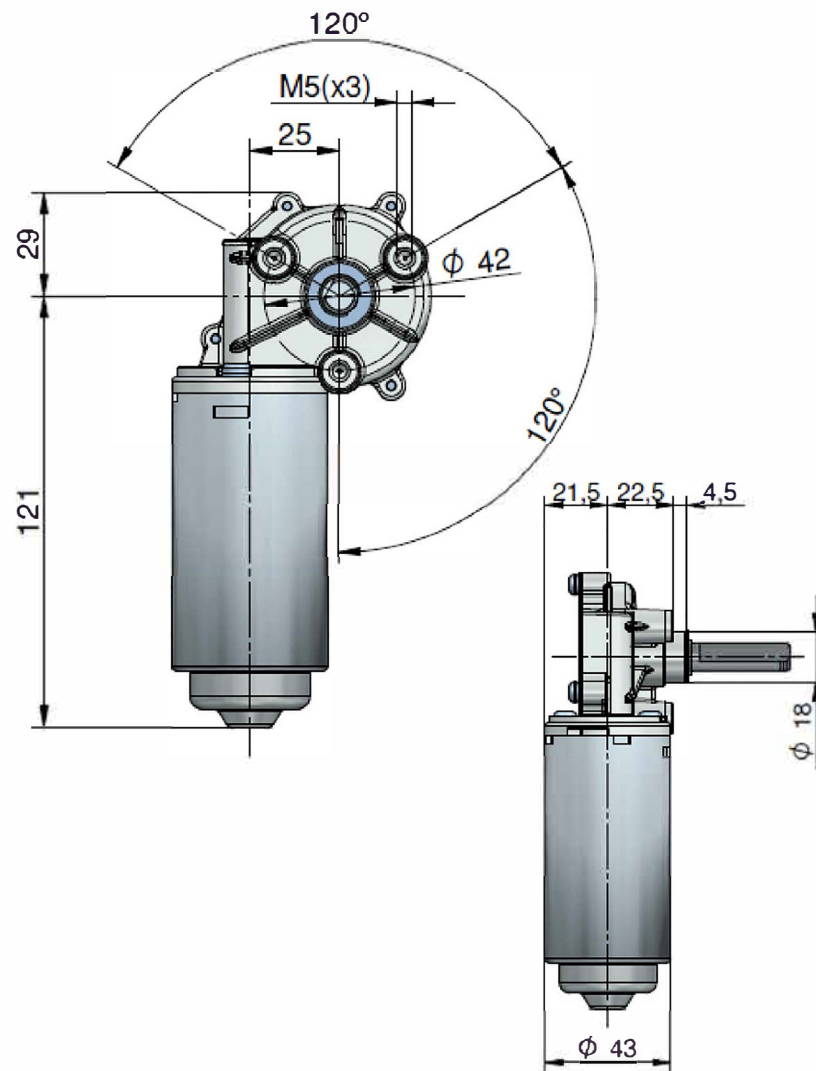


Gearmotor MR42



TECHNICAL DATA

DESCRIPTION	VALUE
Supply Voltage (VDC)	12, 24
No Load speed (RPM)	50÷160
Starting Torque (Nm)	< 8
Gear ratio	1:62
Gearwheel material	Pom
Duty Type	S2, S3
Max output power (W)	< 50
Weight (Kg)	0,75
Accessories:	<ul style="list-style-type: none">• Standard EMC filter• Single channel Hall sensor with 1 pulse/revolution
Customizations:	<ul style="list-style-type: none">• EMC filter• Thermal protection c• Output shaft• Connector and wiring



DOWNLOAD
GEARMOTOR MR42
TECHNICAL SKETCH

OSLV ITALIA