



Step	Description	Intervall (whatever comes first)								See Section	Required Parts / Tools
		Hours,									
	2.000	4.000	6.000	8.000	10.000	12.000	14.000	16.000	or Months		
1	Check negative pressure in Measuring Head: - under 55 mmWC -> adjust pressure - between 55 mmWC and 65 mmWC -> o. k. - between 65 mmWC and 85 mmWC -> adjust pressure - over 85 mmWC -> check pressure regulator unit	X	X	X	X	X	X	X	X	3.1, Page 30	270532 U-Tube Gauge Kit, or 151800 Digital Pressure Gauge cplt.
2	Clean infrared filters in Measuring Head	X	X	X	X	X	X	X	X	5.2, Page 41	151482 Cleaning Kit
3	Clean fresh air bores in Measuring Head	X	X	X	X	X	X	X	X	5.1, Page 41	
4	Exchange air filters in Measuring Head	X	X	X	X	X	X	X	X	5.3, Page 42	151481 Maintenance Kit
5	Perform functional test with test glass	X	X	X	X	X	X	X	X	7.1, Page 51	270453 Test Plate Kit
6	Exchange air filters in Pressure Regulator Unit		X		X		X		X	5.4, Page 42	151481 Maintenance Kit
7	Exchange filter cartridge (VN115/116/215/87plus)		O		O		O		O	8.3, Page 64	273119 Cartridge for Water Separator
8	Clean suction system with compressed air				X				X	3, Pages 31/32	Compressed Air
9	Check bellows for cracks and suspensions between Measuring Head and Baseplate				X						
10	check Scavenging air outlet manually (feel free airflow)				X				X		
11	Inspection of entire OMD system								S		Schaller Service
12	Perform functional test of entire OMD system with smoke								S		Schaller Service 151067 Smoke Generator (110V) resp. 150740 (230V)
13	Overhaul complete OMD, incl. exchange bellows and suspension								S		Schaller Service 151482 Cleaning Kit Service Kit, as per model: VN115 - 151483 VN116 - 151484 VN215 - 151485

X – work to be done

O – optional, only if optional Water Separator is installed

S – by authorized Schaller Service Staff

Schaller Genuine Spare Parts - Data Sheet

Material	151481	Description	Spare Part Kit 1 (Maintenance Kit)
Applicable for	VISATRON VN87 & VN87plus		

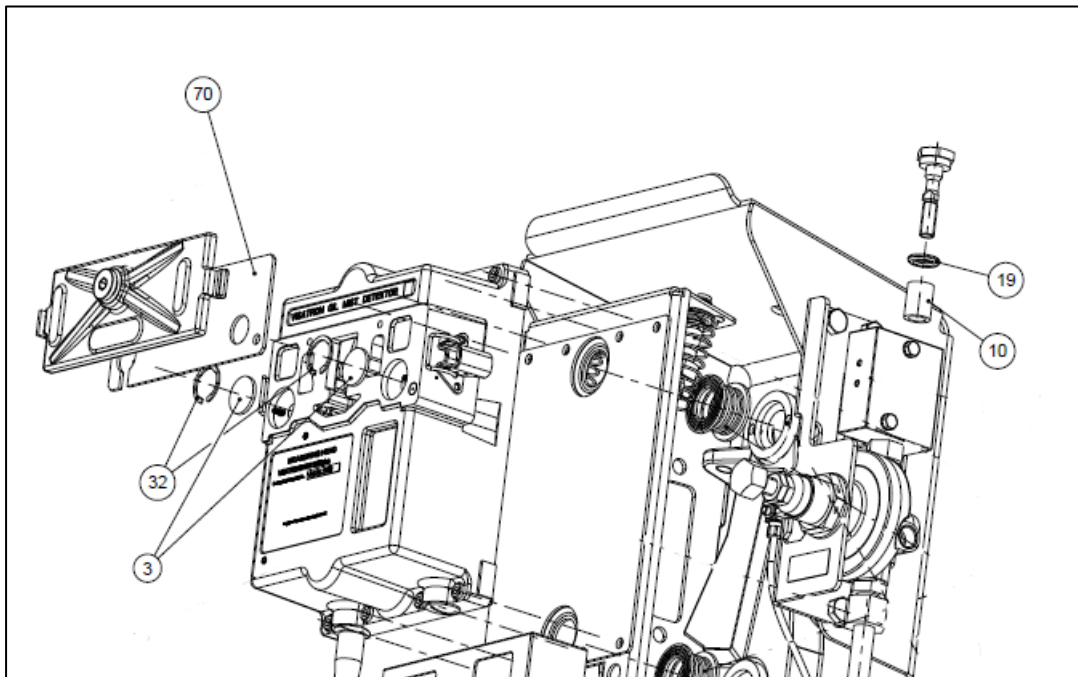
1) Maintenance Schedule

Step	Description	Intervall (whatever comes first)								See Section	Required Parts / Tools
		Hours,	2.000	4.000	6.000	8.000	10.000	12.000	14.000		
	or Months	3	6	9	12	15	18	21	24		
4	Exchange air filters in Measuring Head	X	X	X	X	X	X	X	X	5.3, Page 42	151481 Maintenance Kit
6	Exchange air filters in Pressure Regulator Unit		X		X		X		X	5.4, Page 42	151481 Maintenance Kit

2) Maintenance kit content

Material	Material (old)	Description	Qty	Unit	Item Line
365197	10042	Sinter brass 22x2, Filter Disc	10	PC	Position: 3
365198	10041	Circlip D22 DIN472	4	PC	Position: 32
365206	10002	Filter for Pressure Reducer	3	PC	Position: 10
365208	10003	O-Ring 9,0x4,5 NBR70 screw Pres. Reducer	3	PC	Position: 19
355636	11070	Gasket for Inspection cover VN87 ^{plus}	2	PC	Position: 70
366717	-	Filter cartridge (blue for new pressure regulator 273440)	2	PC	

Note: Quantity sufficient for 1 year / 8.000 hours as for Steps 4 + 6 of Maintenance Schedule (plus spare)



Schaller Genuine Spare Parts - Data Sheet

Material	151481	Description	Spare Part Kit 1 (Maintenance Kit)
Applicable for	VISATRON VN87 & VN87plus		





Schaller Genuine Spare Parts – Data Sheet

Material	151482	Description	Spare Part Kit 2 (Cleaning Kit)
Applicable for	VISATRON VN87 & VN87plus & VN93		

Material	Description	Qty.*	Unit	Item	Item Line
190003	Cleaning Needle	1	PC	0010	
452176	Cottonsticks	20	PC	0020	
270090	Bottle with cleaning liquid**	1	PC	0030	

Table 1 Content

*Note: Quantity sufficient for 1 year / 8.000 hours as for Steps 2 + 3 of Maintenance Schedule, and also to be used for 13

**Note: Hazardous Liquid, Safety Data Sheet available on request!

Step	Description	Intervall (whatever comes first)								See Section	Required Parts / Tools
		2.000	4.000	6.000	8.000	10.000	12.000	14.000	16.000		
	Hours,										
	or Months	3	6	9	12	15	18	21	24		
2	Clean infrared filters in Measuring Head	X	X	X	X	X	X	X	X	5.2, Page 41	151482 Cleaning Kit
3	Clean fresh air bores in Measuring Head	X	X	X	X	X	X	X	X	5.1, Page 41	
13	Overhaul complete OMD, incl. exchange bellows and suspension									S	Schaller Service 151482 Cleaning Kit

Table 2 Extract of Maintenance Schedule

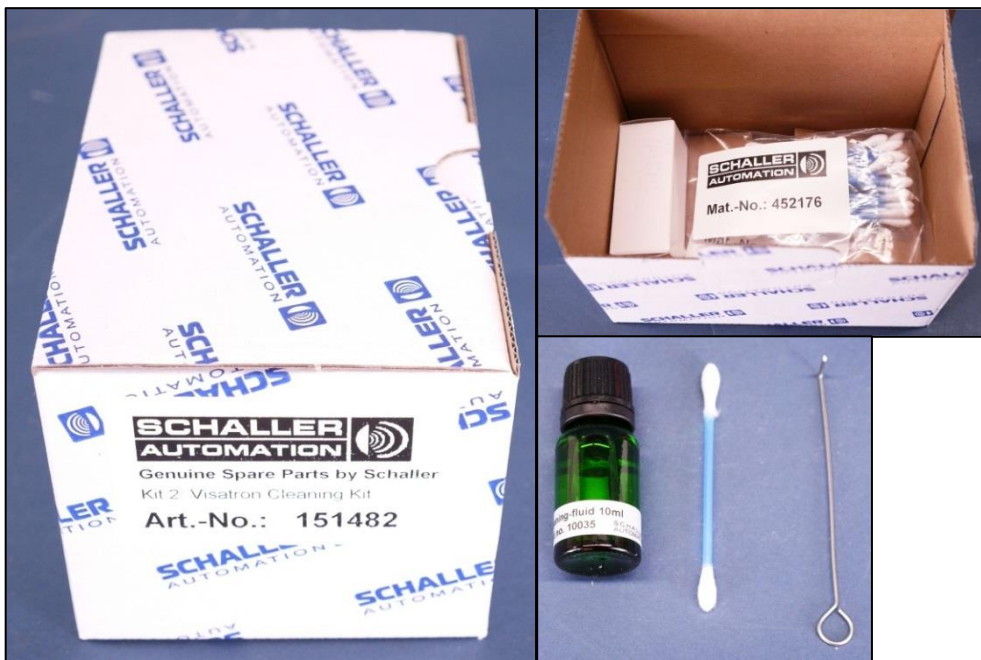


Fig. 1 Packing and Content



Schaller Genuine Spare Parts – Data Sheet

Material	151483	Description	Spare Part Kit 3 (Service Kit VN115)
Applicable for	VISATRON VN115/87 & VN115/87plus		

Material	Description	Qty.*	Unit	Item	Item Line
330482	Gasket for Measuring Head	1	PC	0010	Position: 43
330721	Gasket for Valve Box	1	PC	0020	Position: 34
200211	Measuring head suspension, bottom	2	PC	0050	Position: 13
200212	Measuring head suspension, top	2	PC	0060	Position: 14
365197	Sinter brass 22x2, Filter Disc	2	PC	0070	Position: 3
365206	Filter for Pressure Reducer	1	PC	0080	Position: 10
365198	Circlip D22 DIN472	2	PC	0090	Position: 32
365193	Flexible bellow Base Plate/Meas. Head	2	PC	0100	Position: 9
480314	Screw M3x12 for flange flex. bellow	4	PC	0110	Position: 51
365208	O-Ring 9,0x4,5 NBR70 screw Pres Reducer	1	PC	0120	Position: 19
365449	O-Ring 8,0x2,5 screw throttle**	1	PC	0130	Position: 52
365954	O-Ring 4,0 x 1,75 NBR70 throttle**	1	PC	0140	Position: 53
330543	Gasket to Air-Jet pump	3	PC	0150	Position: 54
360136	Oil return gasket VN115	1	PC	0160	Position: 55

Table 1 Content

*Note: Quantity sufficient for one 24-monthly / 16.000-hours service as for Step 13 of Maintenance Schedule

**Note: old design only, with adjustable throttle (hexagon nut), not required with new design (fixed throttle)

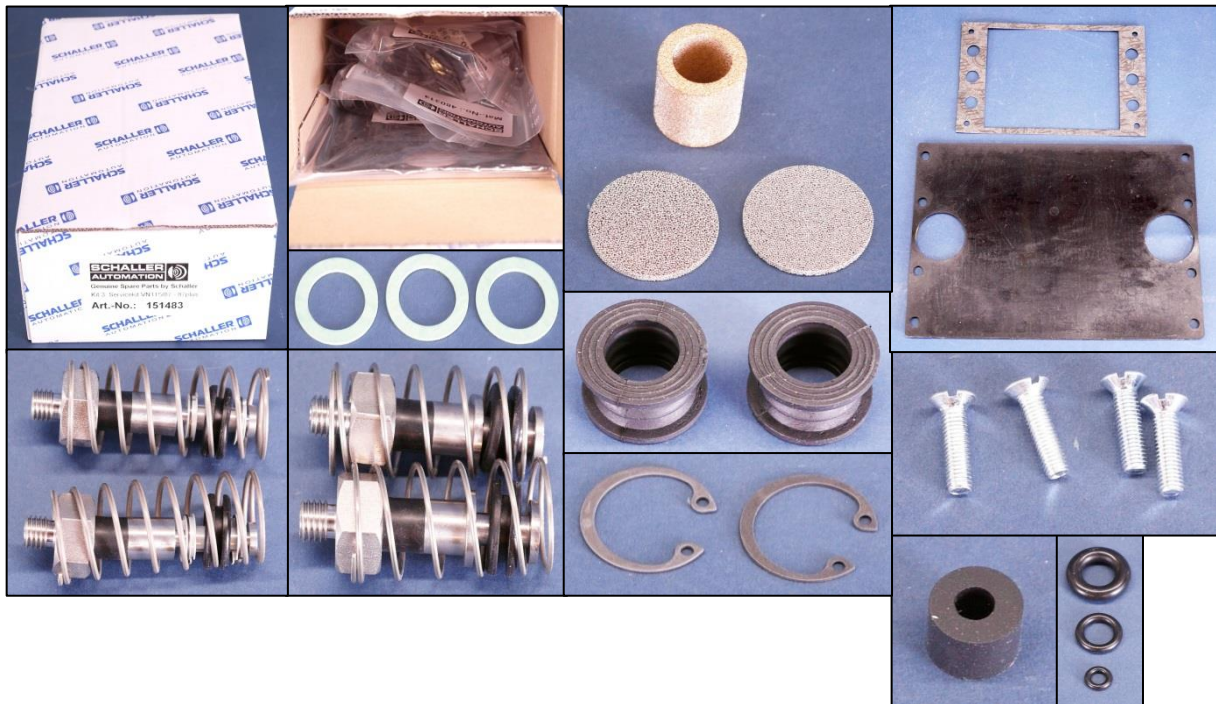


Fig. 1 Packing and Content



Step	Description	Intervall (whatever comes first)								See Section	Required Parts / Tools
		2.000	4.000	6.000	8.000	10.000	12.000	14.000	16.000		
	Hours, or Months	3	6	9	12	15	18	21	24		
13	Overhaul complete OMD, incl. exchange bellows and suspension									S	Schaller Service 151482 Cleaning Kit Service Kit, as per model: VN115 - 151483

Table 2 Extract of Maintenance Schedule

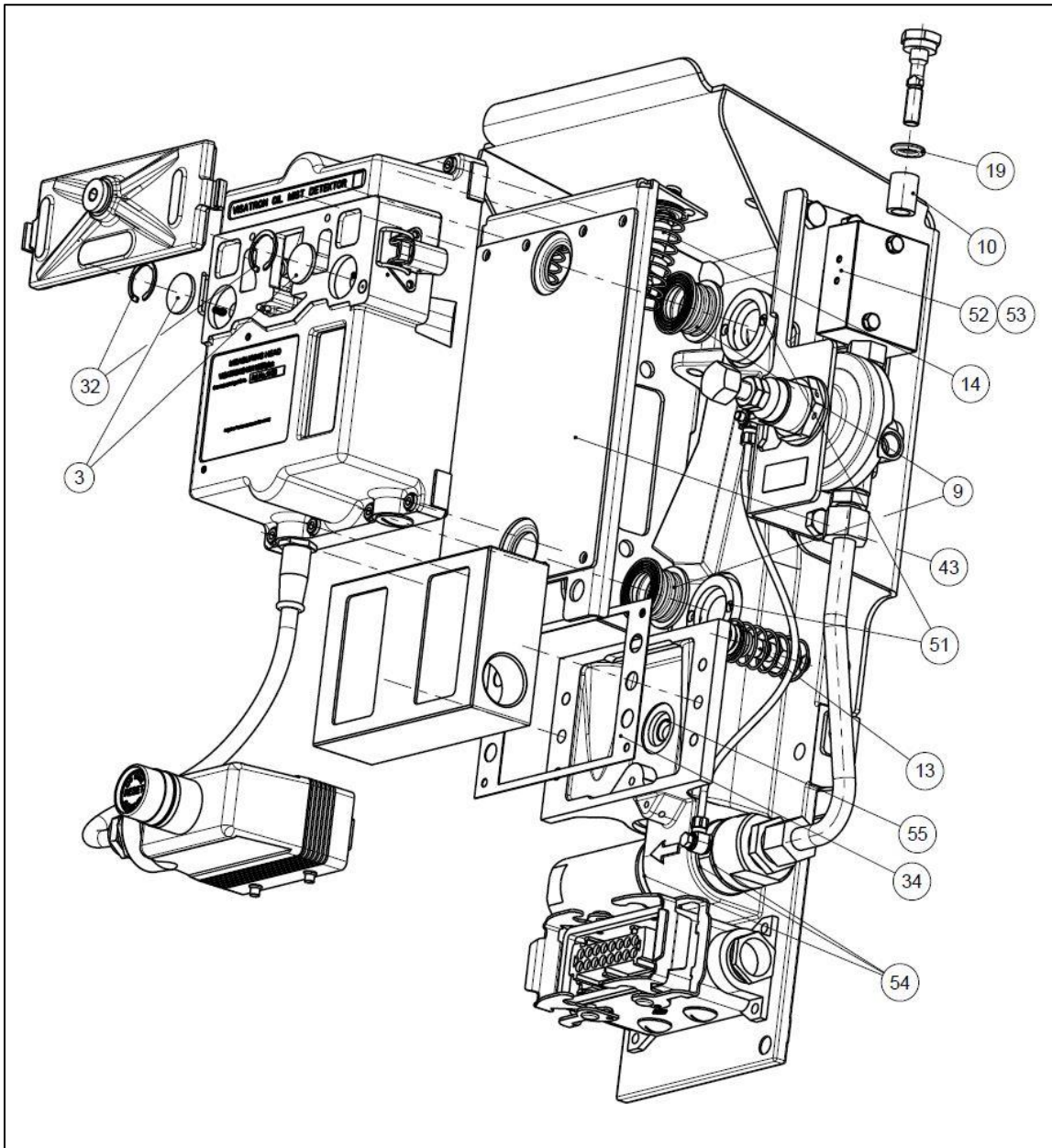


Fig. 2 Item Line Position



Schaller Genuine Spare Parts – Data Sheet

Material	151484	Description	Spare Part Kit 4 (Service Kit VN116)
Applicable for	VISATRON VN116/87 & VN116/87plus		

Material	Description	Qty.*	Unit	Item	Item Line
330482	Gasket for Measuring Head	1	PC	0010	Position: 43
330721	Gasket for Valve Box	1	PC	0020	Position: 34
355346	Gasket for Tube Connection	2	PC	0030	Position: 50
200211	Measuring head suspension, bottom	2	PC	0050	Position: 13
200212	Measuring head suspension, top	2	PC	0060	Position: 14
365197	Sinter brass 22x2, Filter Disc	2	PC	0070	Position: 3
365206	Filter for Pressure Reducer	1	PC	0080	Position: 10
365198	Circlip D22 DIN472	2	PC	0090	Position: 32
365193	Flexible Bellow Base Plate/Meas. Head	2	PC	0100	Position: 9
480314	Screw M3x12 for flange flex. bellow	4	PC	0110	Position: 51
365208	O-Ring 9,0x4,5 NBR70 screw Pres. Reducer	1	PC	0120	Position: 19
365449	O-Ring 8,0x2,5 screw throttle**	1	PC	0130	Position: 52
365954	O-Ring 4,0x1,75 NBR70 throttle**	1	PC	0140	Position: 53
330543	Gasket to Air-Jet pump	3	PC	0150	Position: 54
360132	Oil return gasket VN116/215	1	PC	0160	Position: 55
360133	Oil mist gasket Valve Box VN116/215	1	PC	0170	Position: 56

Table 1 Content

*Note: Quantity sufficient for one 24-monthly / 16.000-hours service as for Step 13 of Maintenance Schedule

** Note: old design only, with adjustable throttle (hexagon nut), not required with new design (fixed throttle)

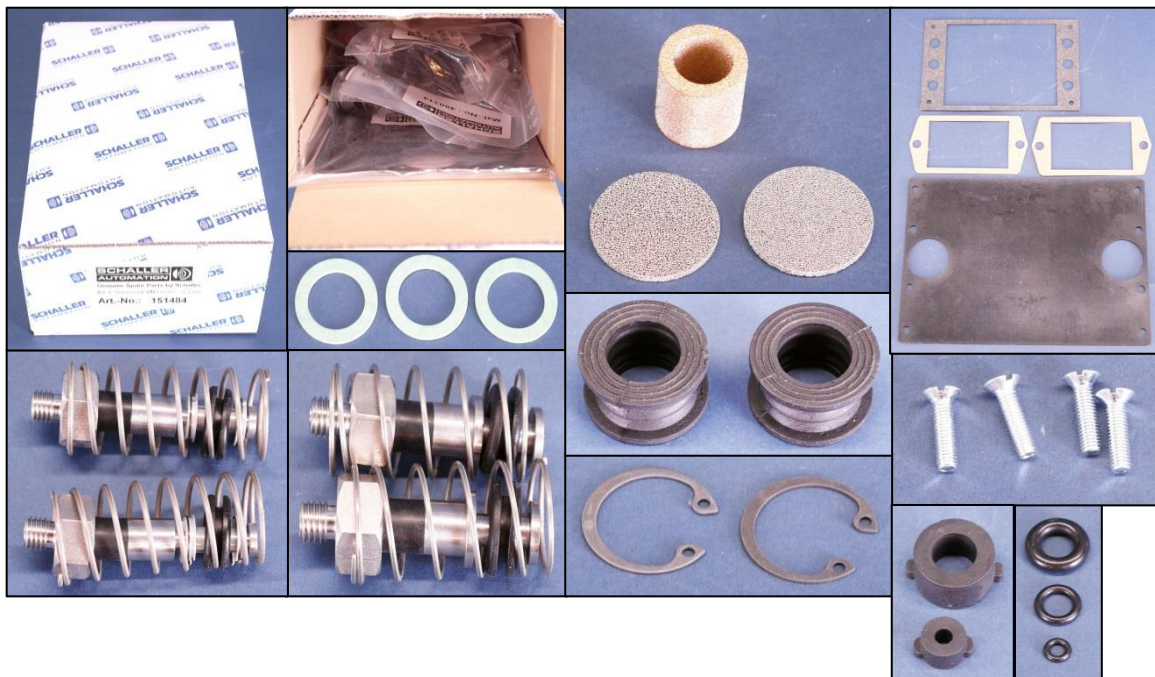


Fig. 1 Packing and Content



Step	Description	Intervall (whatever comes first)								See Section	Required Parts / Tools
		2.000	4.000	6.000	8.000	10.000	12.000	14.000	16.000		
	Hours, or Months	3	6	9	12	15	18	21	24		
13	Overhaul complete OMD, incl. exchange bellows and suspension								S		Schaller Service 151482 Cleaning Kit Service Kit, as per model: VN116 - 151484

Table 2 Extract of Maintenance Schedule

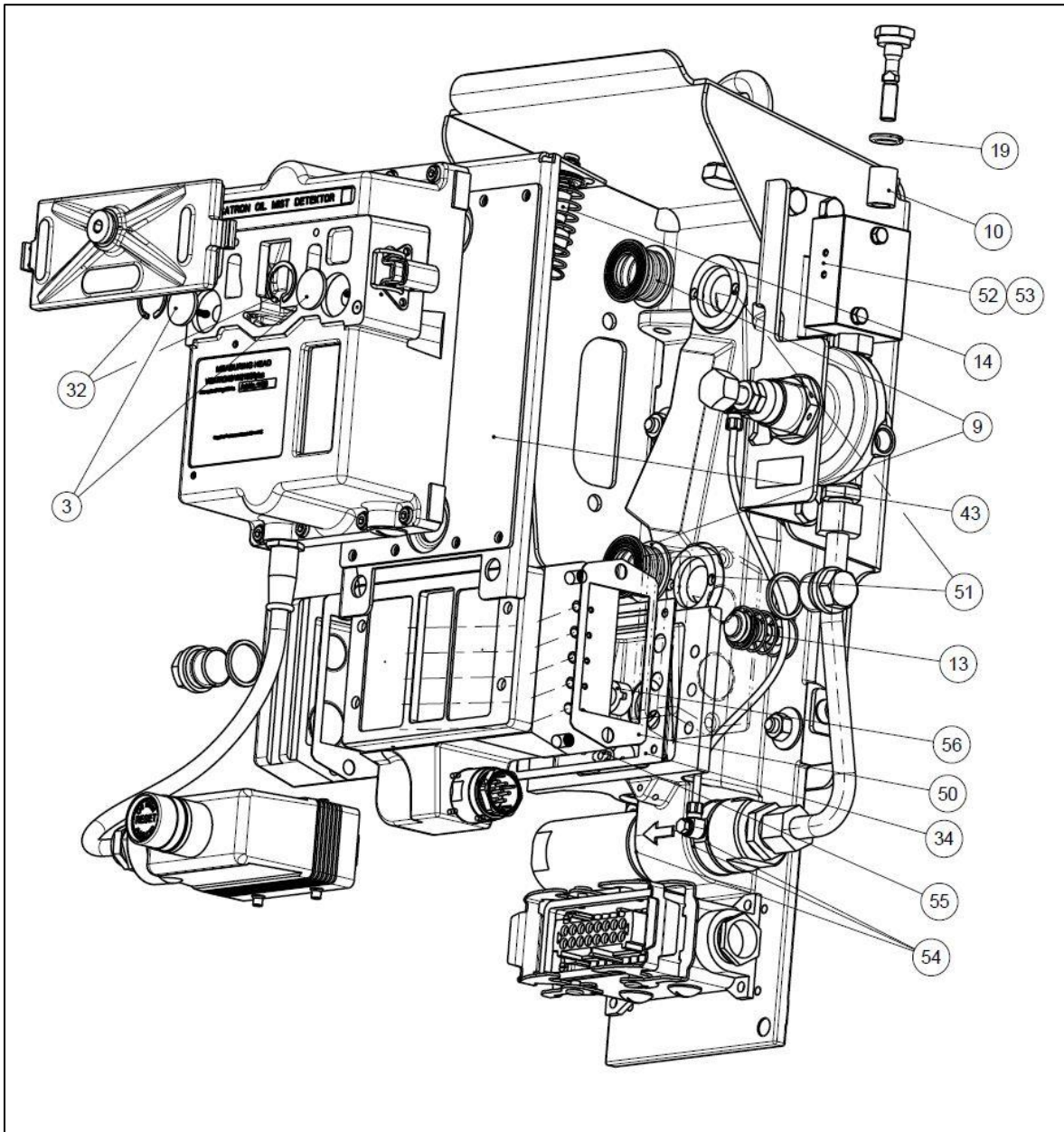


Fig. 2 Item Line Position



Schaller Genuine Spare Parts – Data Sheet

Material	151485	Description	Spare Part Kit 5 (Service Kit VN215)
Applicable for	VISATRON VN215/87 & VN215/87plus		

Material	Description	Qty.*	Unit	Item	Item Line
330482	Gasket for Measuring Head	1	PC	0010	Position: 43
330721	Gasket for Valve Box	1	PC	0020	Position: 34
200211	Measuring head suspension, bottom	2	PC	0050	Position: 13
200212	Measuring head suspension, top	2	PC	0060	Position: 14
365197	Sinter brass 22x2, Filter Disc	2	PC	0070	Position: 3
365206	Filter for Pressure Reducer	1	PC	0080	Position: 10
365198	Circlip D22 DIN472	2	PC	0090	Position: 32
365193	Flexible bellow Base Plate/Meas. Head	2	PC	0100	Position: 9
480314	Screw M3x12 for flange flex. bellow	4	PC	0110	Position: 51
365208	O-Ring 9,0x4,5 NBR70 screw Pres. Reducer	1	PC	0120	Position: 19
365449	O-Ring 8,0x2,5 screw throttle**	1	PC	0130	Position: 52
365954	O-Ring 4,0x1,75 NBR70 throttle**	1	PC	0140	Position: 53
330543	Gasket to Air-Jet pump	3	PC	0150	Position: 54
360132	Oil return gasket VN116/215	1	PC	0160	Position: 55
360133	Oil mist gasket Valve Box VN116/215	1	PC	0170	Position: 56
360079	Rubber plate for tube connection	2	PC	0180	Position: 29
360194	Lock plug	5	PC	0190	Position: 8

Table 1 Content

*Note: Quantity sufficient for one 24-monthly / 16.000-hours service as for Step 13 of Maintenance Schedule

**Note: old design only, with adjustable throttle (hexagon nut), not required with new design (fixed throttle)

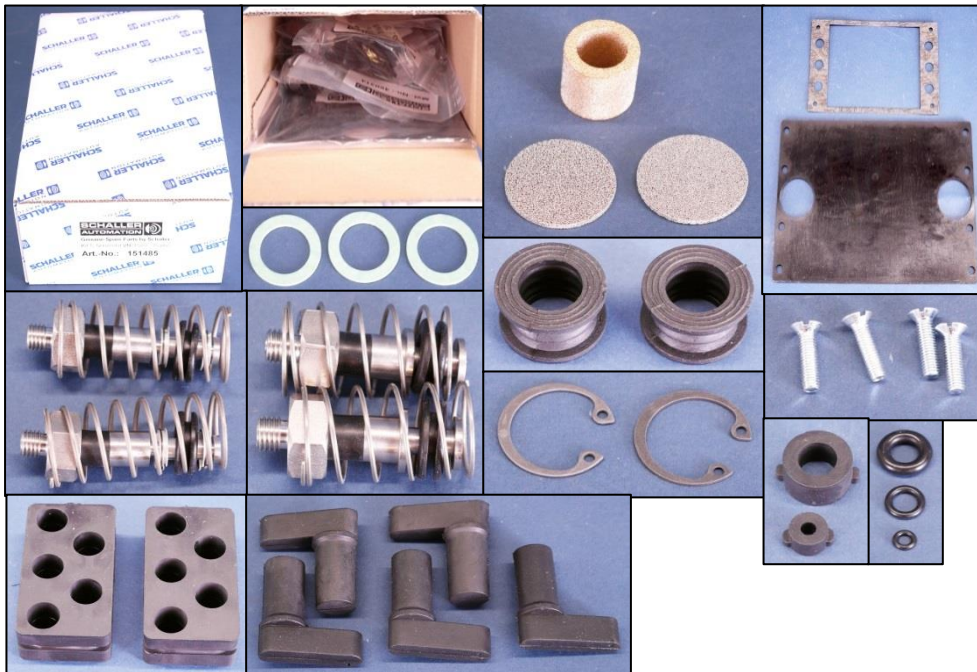


Fig. 1 Packing and Content



Step	Description	Intervall (whatever comes first)								See Section	Required Parts / Tools
		2.000	4.000	6.000	8.000	10.000	12.000	14.000	16.000		
	Hours,										
	or Months	3	6	9	12	15	18	21	24		
13	Overhaul complete OMD, incl. exchange bellows and suspension									S	Schaller Service 151482 Cleaning Kit Service Kit, as per model: VN215 - 151485

Table 2 Extract of Maintenance Schedule

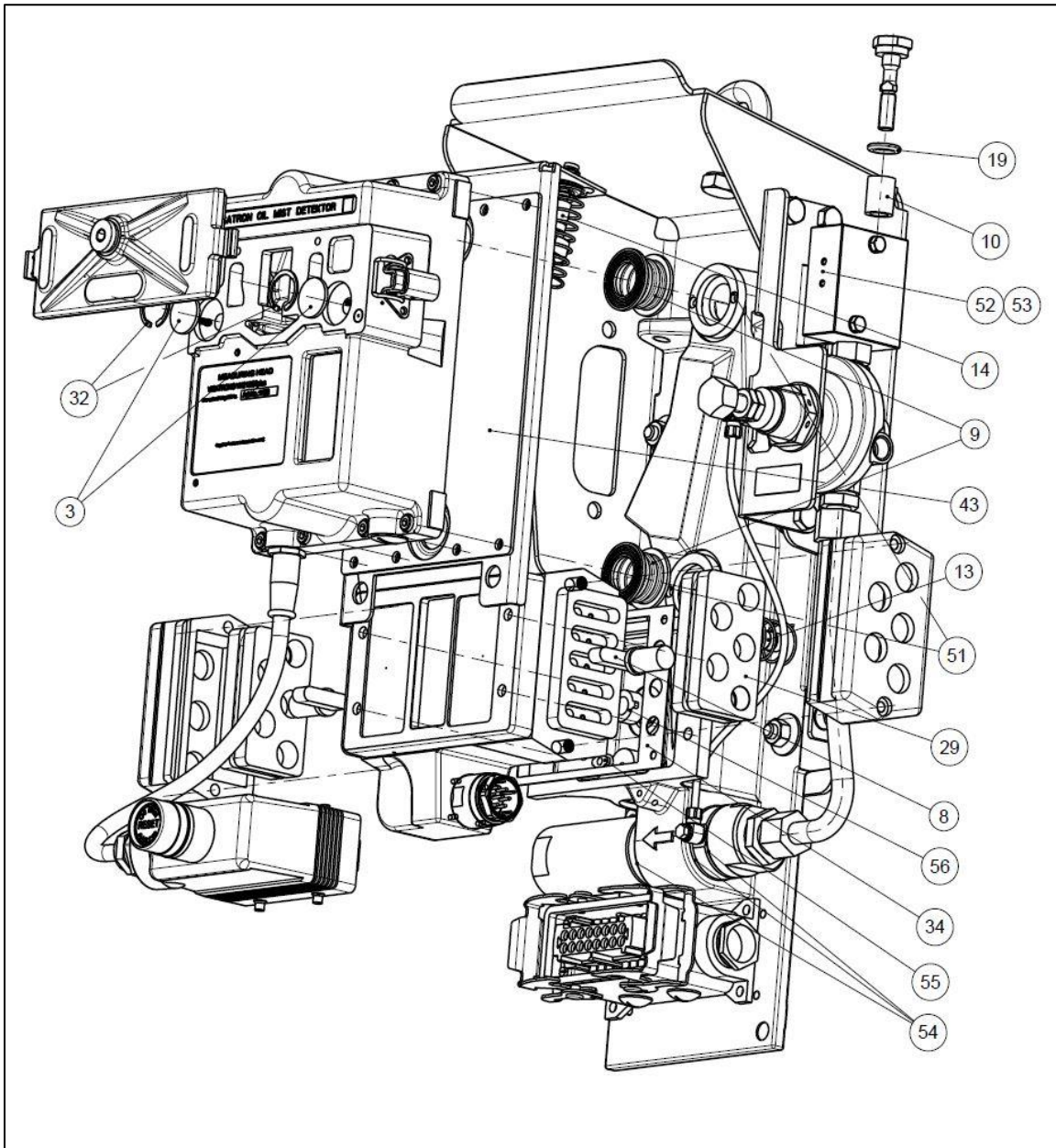


Fig. 2 – Line Item Position