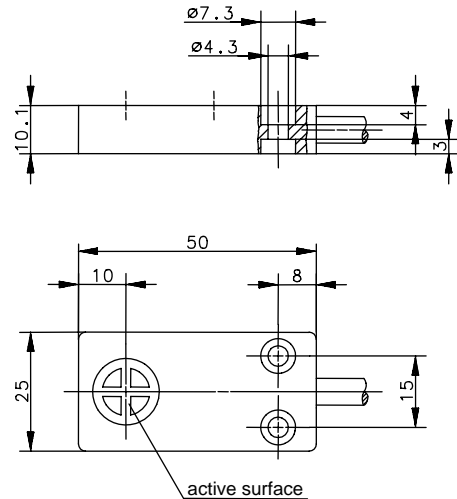
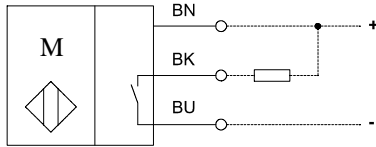


Series E50

Type designation **MEK-E50NB/H11-K2**

Item number **6363890042**

Wiring diagram



Characteristic features in accordance with EN 60947-5-2

Electrical data

| | | |
|-------------------------------|-------|---------------------------------------|
| Assured operating distance | S_a | 17 mm |
| Switching function | | NPN, open collector, bistable |
| Operational voltage range | U_B | 4,5-24 VDC |
| Switching current | | 25 mA |
| Supply current | | < 5 mA |
| Voltage drop | U_d | < 1 V |
| Switching element | | Hall, typ. 11 mT, south on/ north off |
| Short-circuit protection | | current limit |
| Frequency of operating cycles | f | 20 kHz |
| Assembly position | | optional |
| False polarity protection | | yes |
| Corresponding magnet | | T-62 N/S |

Electromagnetic compatibility (EMC)

| | |
|-------------------------------------------------|---------------|
| Electromagnetic field test | IEC 61000-4-3 |
| Electrostatic discharge test | IEC 61000-4-2 |
| Electrical fast transient immunity test (Burst) | IEC 61000-4-4 |
| Radiated disturbance field strength | EN 55011 |

Mechanical Data

| | |
|-------------------------|---------------------------------------------------------------|
| Enclosure | PBT |
| Ambient air temperature | -25 °C ... +70 °C (cabel fixed mounted) |
| Type of protection | IP67 acc. to IEC 529, EN 60529 |
| Termination type | cabel 3 x 0,50 mm ² x 2 m; PVC-Outer jacket, black |
| For attachment | none |

EU Conformity



This document will not become the contractual basis; the details included herein do not constitute any descriptions of expected conditions, so that warranties/claims for defects on account of possible variations of the actual from the here described condition are excluded. Subject to modifications and amendments.

Date of issue: 14.05.2008 / Page 1 of 1
Document: 6363890042_en / Last update: 1 / 0149-08