

XHP: Pneumatic manual switch

Areas of application

Manual change-over of pneumatic signal lines.

Features

- Four stages
- Can be built into panel or wall-/rail-mounted

Technical description

- k_V (water) = 0.11 m³/h
- Nominal flow rate = 3 m³_n/h



T03069



Y03321

Type	k_V -value water $\Delta p = 1$ bar	Nominal flow Q_N 1 bar with respect to atmosphere	Weight kg
XHP 3 F001	0,11 m ³ /h	3,0 m ³ _n /h	0,03
Max. leakage rate (2,5 bar → 0)	1,2 l _n /h	Connection diagram	A03322
Permissible pressure or differential pressure	2,5 bar	Dimension drawing	M297193
Permissible ambient temperature	0...70 °C	Fitting instructions	none

Accessories

- [0296936 000*](#) Fixing bracket for rail EN 60715, 35 × 20.5 and 35 × 15.
- [0296937 000*](#) Fixing bracket for C-rail EN 60715-C 20 and for wall mounting.
- [0296990 000*](#) Buckle-proof adaptor for screw-type installation, MV 7322.
- [0296218 000*](#) Buckle-proof adaptor for push-on installation.

*) Dimension drawing or wiring diagram are available under the same number

Universal scale (enclosed)	'Open-closed' scale (fitted)	'Manual-closed' scale (rear)	Operation
1	closed	closed	Passage from 1 to 0
2	Aut.	Aut.	Passage from 2 to 0
3	open	open	Passage from 3 to 0
4	Stop	Stop	No passage to 0

Operation

The dial turns on four O-rings and locks into one of four positions.

Further technical information

Flow rate at other pressures:-

$$\text{Water: } \dot{V} = k_V \cdot \sqrt{\Delta p}$$

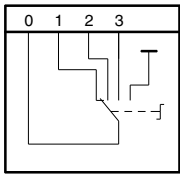
$$\text{Air: } \dot{V} = \dot{V}_N \cdot \sqrt{\Delta p \cdot p_2}$$

Δp = pressure difference (bar)

p_2 = absolute pressure, non-pressure side (bar)

\dot{V}_N = nominal flow

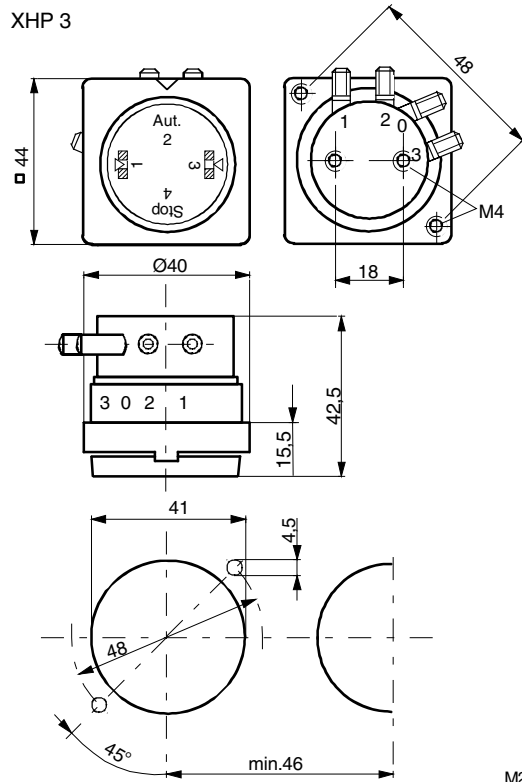
Connection diagram



A03322

Dimension drawing

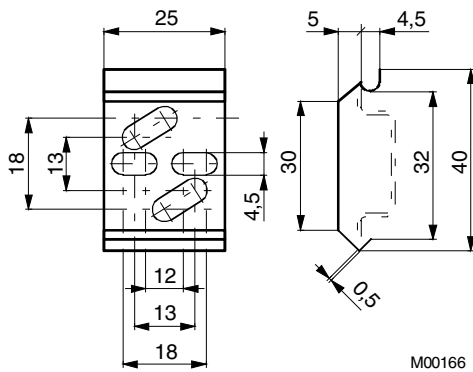
XHP 3



M297193d

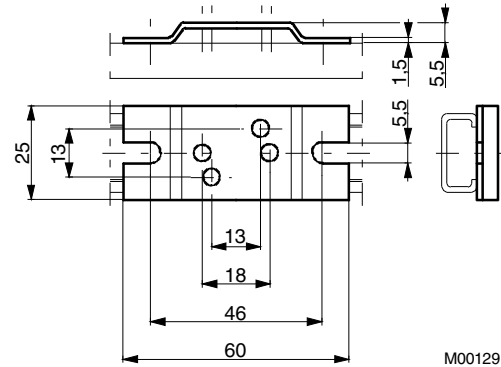
Accessories

296936



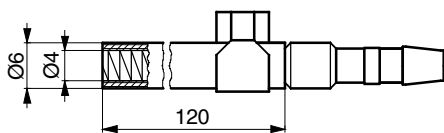
M00166

296937



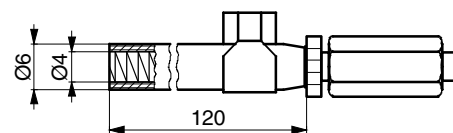
M00129

296218



M00563

296990



M00564