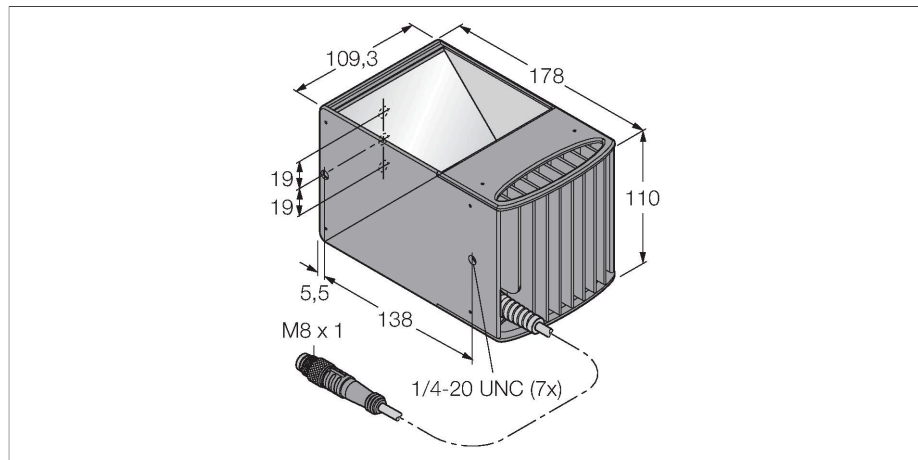


LEDRO100M

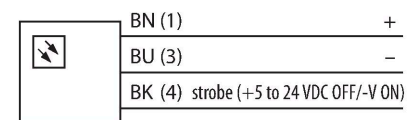
Vision System – Axial Lighting



Features

- Axial lighting
- Protection class: IP40
- Color: red
- Power supply: 24 VDC
- Pigtail M8x1, 0.6m

Wiring diagram



Technical data

Type	LEDRO100M
ID	3075527
Signal and display data	
Purpose	Image processing
Function	Area light
Light type	Red
Wavelength	620...630 nm
LED service life (L70)	20000 h
Features of color 1	Red
Electrical data	
Operating voltage	24 VDC
DC rated operational current	≤ 500 mA
Max. current consumption per color	500 mA
Mechanical data	
Design	Rectangular
Dimensions	109.3 x 109.3 x 178 mm
Housing material	Metal, Anodized AL
Window material	Acrylic, clear
Electrical connection	Cable with connector, M8 x 1, 0.6 m, PVC
Number of cores	3
Ambient temperature	0...+50 °C
Protection class	IP40
Tests/approvals	
Approvals	CE, cULus listed

Functional principle

Illumination coaxially integrated in the camera's beam path.