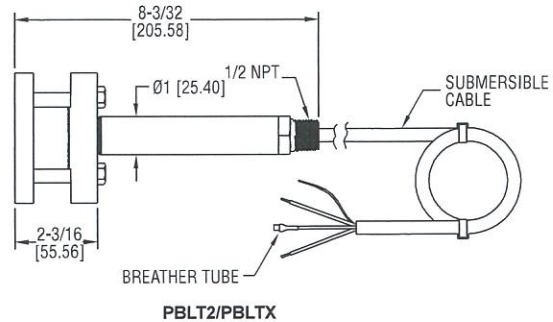
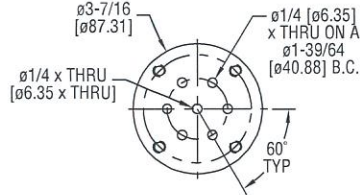




SUBMERSIBLE LEVEL TRANSMITTERS

Perfect for Sludge and Slurries, Lightning Protected



Scan here to watch product video

The SERIES PBLT2 & PBLTX Submersible Level Transmitters are manufactured for years of trouble free service in the harshest applications. These Series measure the height of liquid above the position in the tank referenced to atmospheric pressure. The transmitter consists of a piezoresistive sensing element, encased in a 316 SS housing with cage and large diameter 316 SS diaphragm seal.

FEATURES/BENEFITS

- Durable cage design with large diameter 316 SS diaphragm seal that is non-clogging and damage resistant to floating solids
- Incorporates lightning and surge protection utilizing dual arrester technology, grounded to case, eliminating both power supply surges and lightning ground strike transients (surge protection is not guaranteed and is not covered by warranty) on PBLT2 models
- Maintenance free filter eliminates particulate or water droplets from entering the transducer
- UL approved intrinsically safe on PBLTX models for use in hazardous locations when used with proper barrier
- 270 lb tensile strength shielded and vented cable
- Excellent chemical compatibility
- NPT connection allows the unit to be rigidly installed in a pipe/conduit, or the addition of a A-625 hanging loop for attaching a chain for pulling out of the installation

APPLICATIONS

- Wastewater
- Sludge pits, clarifiers, digesters
- Alum tanks
- Chemical storage tanks
- Oil tanks
- Lime slurry
- Sumps
- Reservoirs

SPECIFICATIONS

Service: Compatible liquids.
Wetted Materials: 316 SS, 316L SS, epoxy, cable: ETFE or polyurethane.
Accuracy: ±0.25% FS (includes linearity, hysteresis, and repeatability).
Temperature Limit: PBLT2: 0 to 200° F (-18 to 93°C); PBLTX: 0 to 176° F (-18 to 80°C).
Compensated Temperature Range: PBLT2: 0 to 180° F (-18 to 82°C); PBLTX: 0 to 176° F (-18 to 80°C).
Thermal Effect: ±0.02% FS/°F.
Pressure Limit: 2X FS.
Power Requirement: PBLT2: 13 to 30 VDC, PBLTX: 10 to 28 VDC.
Output Signal: 4 to 20 mA DC, two wire.
Response Time: 50 ms.
Loop Resistance: 900 Ω.
Electrical Connection: Wire pigtail.
Mounting Orientation: Suspended in tank below level being measured.
Electrical Protection: PBLT2: Lightning and surge protection, PBLTX: none.
Weight: 4.3 lb (2.0 kg).
Agency Approvals: PBLT2: CE, PBLTX: CE, cULus intrinsically safe for Class I, Div. 1, Groups A, B, C, D; Class II, Div. 1, Groups E, F, G; Class III, Div. 1. (According to control drawing 01-700797-00)*.

*Up to 196 ft (59.5 m) for ETFE cable; Up to 333 ft (101.5 m) for polyurethane cable

Level Transmitters, Submersible

| Model | Range psi* (ft w.c.) [m w.c.] | Cable Length ft (m) | Cable Type |
|------------------|-------------------------------|---------------------|--------------|
| PBLT2-5-40 | 5 (11.54) [3.52] | 40 (12.2) | ETFE |
| PBLT2-10-40 | 10 (23.09) [7.04] | 40 (12.2) | ETFE |
| PBLT2-15-60 | 15 (34.63) [10.56] | 60 (18.3) | ETFE |
| PBLT2-20-60 | 20 (46.18) [14.08] | 60 (18.3) | ETFE |
| PBLT2-5-40-PU | 5 (11.54) [3.52] | 40 (12.2) | Polyurethane |
| PBLT2-10-40-PU | 10 (23.09) [7.04] | 40 (12.2) | Polyurethane |
| PBLT2-15-60-PU | 15 (34.63) [10.56] | 60 (18.3) | Polyurethane |
| PBLT2-20-60-PU | 20 (46.18) [14.08] | 60 (18.3) | Polyurethane |
| PBLT2-3.5M-5M-PU | 4.97 (11.48) [3.5] | 16.40 (5) | Polyurethane |
| PBLT2-5M-10M-PU | 14.21 (32.81) [10] | 32.81 (10) | Polyurethane |
| PBLT2-10M-18M-PU | 25.58 (59.06) [18] | 59.06 (18) | Polyurethane |

*Configured ranges below 5 psi (11.54 ft w.c.) (3.52 m w.c.) ±1% FS accuracy
Note: For intrinsically safe approval, change model number from PBLT2 to PBLTX. For custom ranges or cable lengths, contact factory.

| Model | Description |
|---------|---|
| MTL5041 | Intrinsically safe galvanic isolator |
| MTL7706 | Intrinsically safe zener barrier |
| A-297 | Dessicant filter for vent tube. Removes humidity for protection of the sensor. Changes color to show saturation |
| A-625 | 316 SS cable hanger use with NPT option for attaching chain for easy pulling out of application |



A-297 A-625