



CONCH ELECTRONIC CO., LTD.

琦勝企業有限公司



SSR Solid State Relay  
SCR Power Regulator





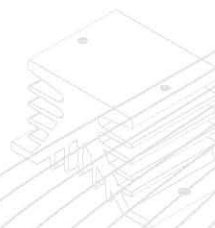
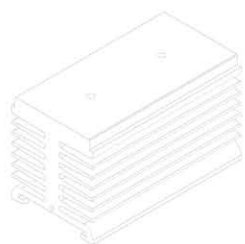
琦勝企業有限公司  
CONCH ELECTRONIC CO., LTD.

CATALOGUE •

2 ..... 1 $\Phi$  Solid State Relay

4 ..... 3 $\Phi$  Solid State Relay

6 ..... Heat Sink for SSR



# 1Ø Solid State Relay

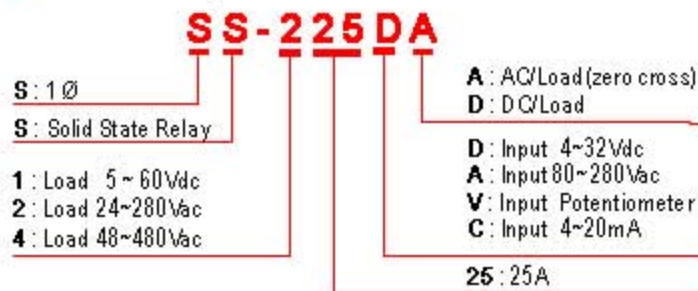
## SS-DA, AA TYPE



### ■ Feature

- Adopting optical-coupled isolator, input-output dielectric strength can reach 4KV.
- Adopting zero cross trigger to prevent EMI/EFI and surge.
- Provided with the snubber circuit to absorb surge.
- High endurance to overcurrent, applicable to load switching of lighting controller and motor.
- High reliability and long lifespan.

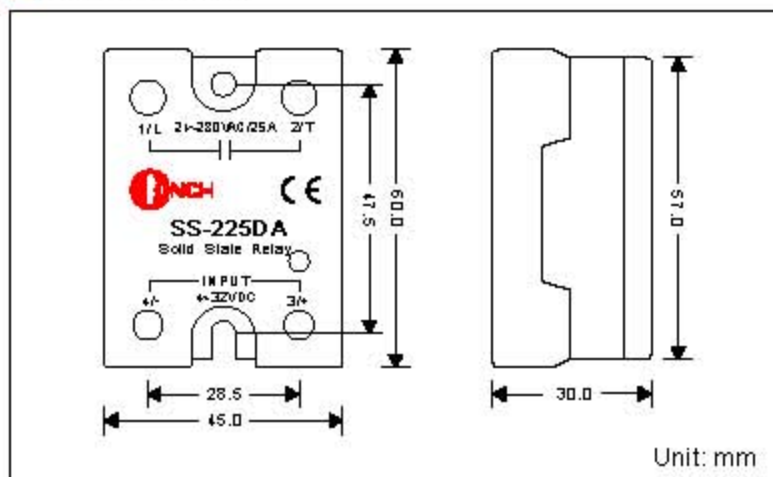
### ■ Model Explanation



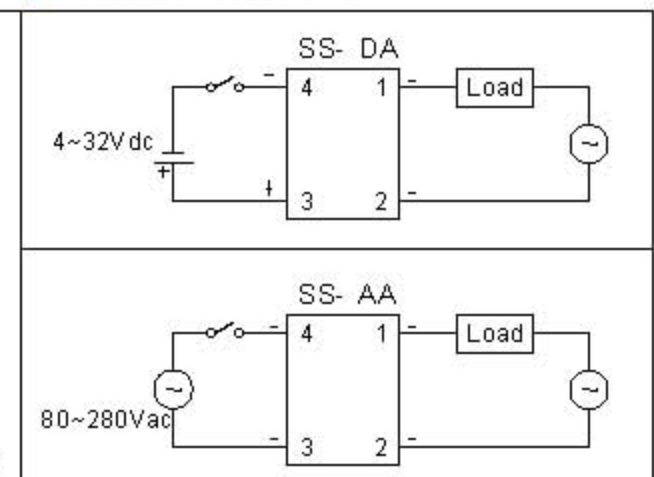
### ■ Output Specification

Type	SS-DA						SS-AA		
Model	210DA 410DA	225DA 425DA	240DA 440DA	250DA 450DA	275DA 475DA	475DAR (SCR)	210AA 410AA	225AA 425AA	240AA 440AA
Output Rated Current (Arms)	10A	25A	40A	50A	75A	75A	10A	25A	40A
Operating Voltage	24~280Vac / 48~480Vac						24~280Vac / 48~480Vac		
Non Rep. Peak Voltage	600Vp / 800Vp						600Vp / 800Vp		
1-Cycle Surge Current	150A	250A	400A	500A	750A	750A	150A	250A	400A
Leakage Current (Max.)	3mA	8mA	8mA	8mA	8mA	8mA	3mA	8mA	8mA
On State Voltage Drop	1.6V/25°C						1.6V/25°C		
Response Time	ON<10ms, OFF<10ms						ON<20ms, OFF<20ms		

### ■ Dimension



### ■ Wiring Diagram



# 1Ø Solid State Relay

## SS-DD, VA, CA TYPE



### ■ Feature

- DD** With high responding speed, it is able to control general DC load, such as electromagnetic valve and DC motors.
- VA** Simple phase control can be done with external VR. This is applicable to general lighting adjusting and speed adjustment of motor.
- CA** Easy to do wiring simply with 4~20mA controlling signal. Auxiliary power is not needed. Over-heat protecting and indicating function for heat sink included.

#### Indicator Explanation

1. When the input signal is at 4mA, the green light will glow slightly and fully brighten up at 20mA.
2. When the temperature of heat sink is above 80 °C, the indicator will turn into red and the operation will be stopped. When the temperature drops to below 70 °C, the red light will go off and output continues.

### ■ Input Specification

Type	SS- DD	SS- VA	SS- CA
Input Control Range	4 ~ 32Vdc	250KΩ/110V 500KΩ/220V	4~20mA
Input Current	6~10mA	—	—
Max. Trigger Voltage	4Vdc	—	—
Min. Return Voltage	2Vdc	—	—

### ■ General Specification

I/O Isolation Strength	>100MΩ
I/O Insulation Voltage	4000Vrms
Breakdown Voltage	2500Vrms
Operating / Storage Temperature	-20°C~80°C / -40°C~100°C
Housing Material	PBT
Weight	110g

### ■ Output

Type	SS- DD		SS- VA			SS- CA	
Model	105DD	110DD	210VA	225VA	240VA	240CA	440CA
Rated Load Current (Arms)	5A	10A	10A	25A	40A	40A	40A
Operating Voltage	5~60Vdc		80~280Vac			90~260Vac	330~500Vac
Non Rep. Peak Voltage	150Vp		600Vp			600Vp	800Vp
1-cycle Surge Current	14A	20A	150A	250A	400A	400A	400A
Leakage Current (Max.)	<1mA		8mA	8mA	8mA	8mA	8mA
On-state Voltage Drop	1.6V/25°C		1.6V/25°C			1.6V/25°C	
Responding Time	<1ms		—			—	

### ■ Wiring Diagram

**SS- DD**

**SS- CA**

Model	240/440CA
L	90
W	55
H	75
Weight(kg)	0.48

Heat Sink are for DIN rail mounting.

# 3Ø Solid State Relay

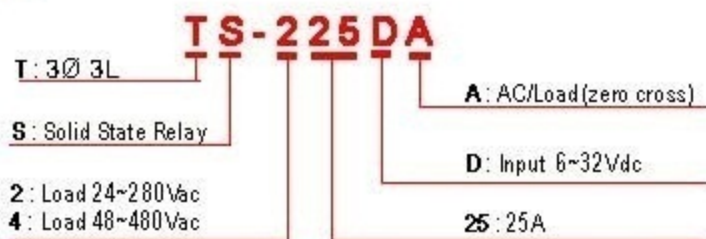
**TS-DA TYPE(3Ø 3L)**  
**DS-DA TYPE(3Ø 2L)**



## Feature

- Adopting optical-coupled isolator, input-output dielectric strength can reach 4KV.
- Adopting zero cross trigger to prevent EMI/EFI and surge.
- Provided with the snubber circuit to absorb surge.
- High endurance to overcurrent, applicable to load switching of lighting controller and motor.
- High reliability and long lifespan.

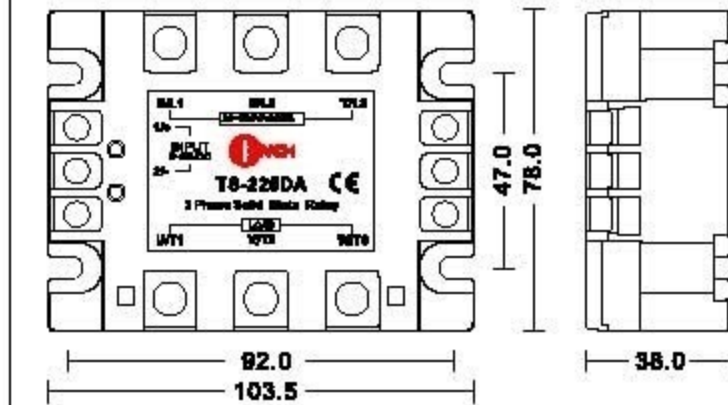
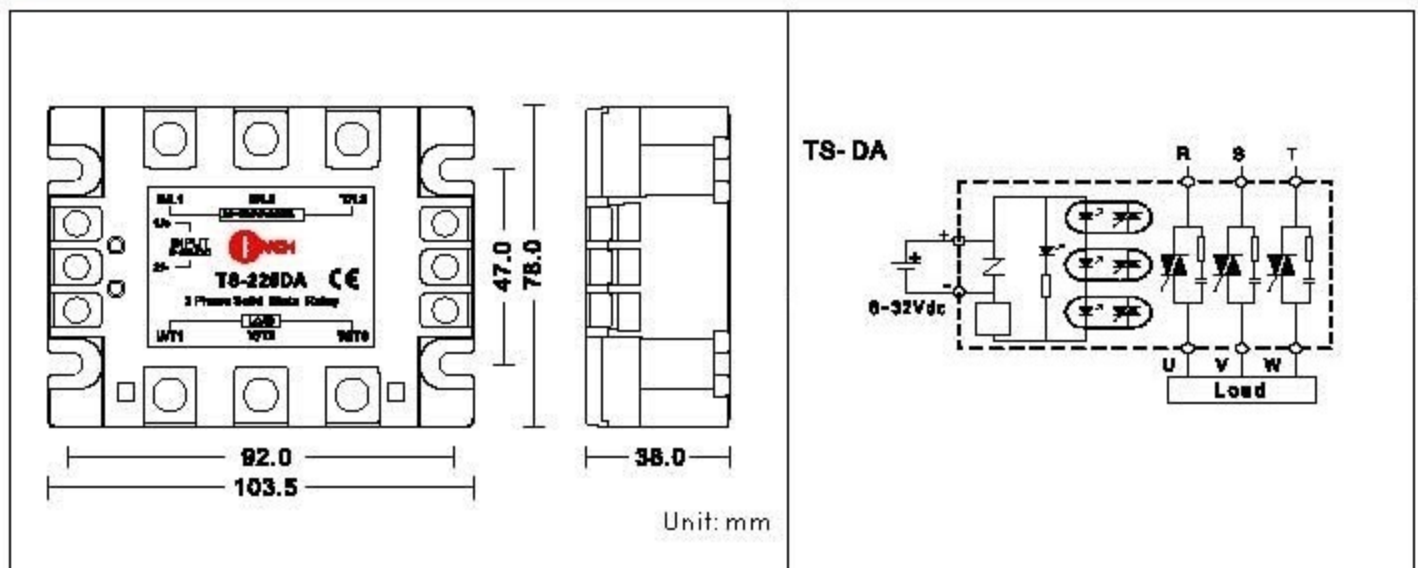
## Model Explanation



## Output Specification

Type	TS- DA				
Model	<b>210DA 410DA</b>	<b>225DA 425DA</b>	<b>240DA 440DA</b>	<b>250DA 450DA</b>	<b>275DA 475DA</b>
Output Rated Current (Arms)	<b>10A</b>	<b>25A</b>	<b>40A</b>	<b>50A</b>	<b>75A</b>
Operating Voltage	<b>24~280Vac / 48~480Vac</b>				
Non Rep. Peak Voltage	<b>800Vp / 800Vp</b>				
1-Cycle Surge Current	<b>150A</b>	<b>250A</b>	<b>400A</b>	<b>500A</b>	<b>750A</b>
Leakage Current (Max.)	<b>3mA</b>	<b>8mA</b>	<b>8mA</b>	<b>8mA</b>	<b>8mA</b>
On State Voltage Drop	<b>1.6V/25°C</b>				
Response Time	<b>ON&lt;10ms , OFF&lt;10ms</b>				

## Wiring Diagram



## Input Specification

Type	TS- DA
Input Control Range	6 ~ 32Vdc
Input Current	6~10mA
Max. Trigger Voltage	6Vdc
Min. Return Voltage	3Vdc

## General Specification

I/O Isolation Strength	>100MΩ
I/O Insulation Voltage	4000Vrms
Break down Voltage	2500Vrms
Operating / Storage Temperature	-20°C~80°C / -40°C~100°C
Housing Material	PC+ABS/PBT(UL94V0)
Weight	400g

# 3Ø Solid State Relay

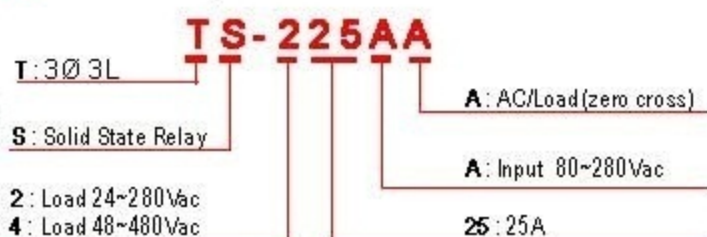
**TS-AA TYPE(3Ø3L)**  
**DS-AA TYPE(3Ø2L)**



## ■ Feature

- Adopting optical-coupled isolator, input-output dielectric strength can reach 4KV.
- Adopting zero cross trigger to prevent EMI/EFI and surge.
- Provided with the snubber circuit to absorb surge.
- High endurance to overcurrent, applicable to load switching of lighting controller and motor.
- High reliability and long lifespan.

## ■ Model Explanation



## ■ Input Specification

Type	TS- AA
Input Control Range	80~280Vac
Input Current	10mA/110Vac
Max. Trigger Voltage	80Vac
Min. Return Voltage	40Vac

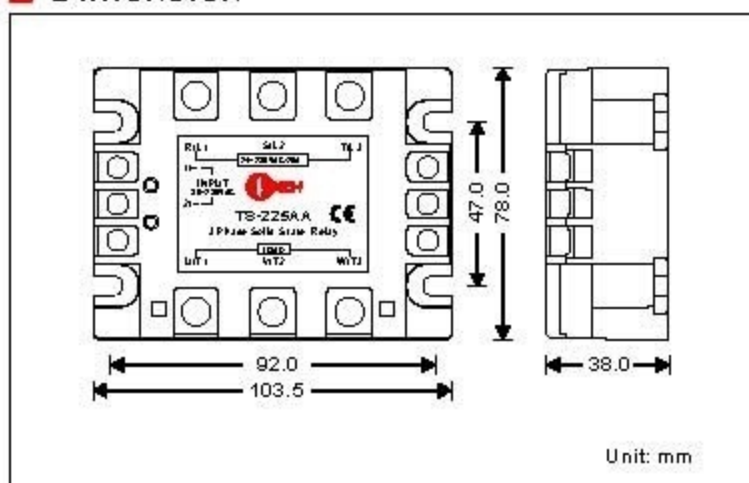
## ■ General Specification

I/O Isolation Strength	>100MΩ
I/O Insulation Voltage	4000V rms
Breakdown Voltage	2500V rms
Operating / Storage Temperature	-20°C~80°C / -40°C~100°C
Housing Material	PC+ABS/PBT(UL94VO)
Weight	400g

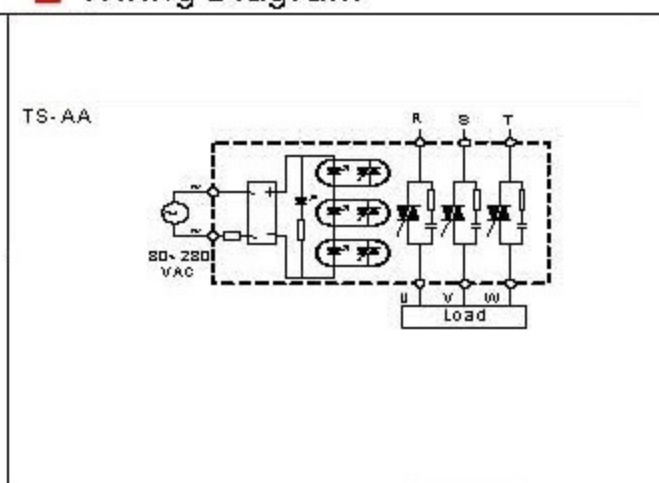
## ■ Output Specification

Type	TS- AA				
Model	210AA 410AA	225AA 425AA	240AA 440AA	250AA 450AA	275AA 475AA
Output Rated Current (Arms)	10A	25A	40A	50A	75A
Operating Voltage	24~280Vac / 48~480Vac				
Non Rep. Peak Voltage	600Vp / 800Vp				
1-Cycle Surge Current	150A	250A	400A	500A	750A
Leakage Current (Max.)	3mA	8mA	8mA	8mA	8mA
On State Voltage Drop	1.6V/25°C				
Response Time	ON<20ms, OFF<20ms				

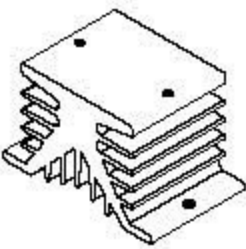
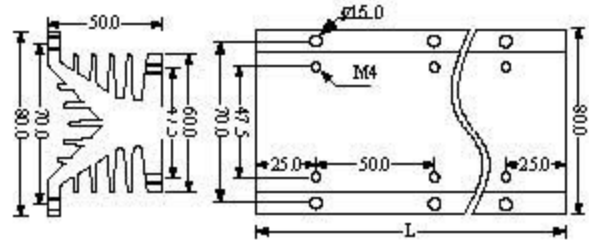
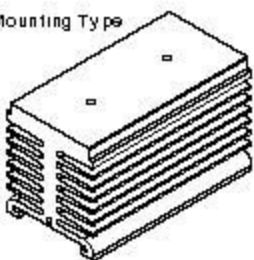
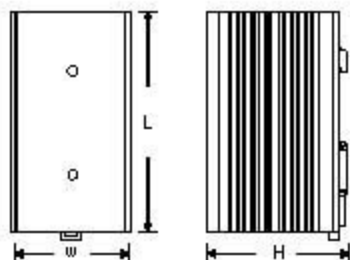
## ■ Dimension

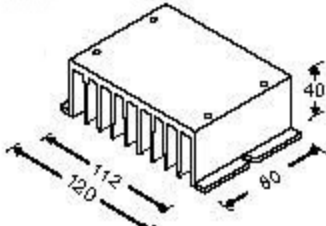



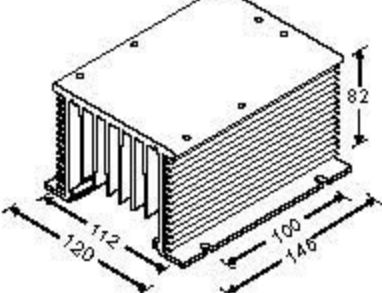





## ■ Wiring Diagram



# Heat Sinks for SSR

Appearance	Dimension	Model Code															
		<table border="1"> <thead> <tr> <th>Model</th> <th>Length</th> <th>Mounting Number</th> </tr> </thead> <tbody> <tr> <td>HS-50L</td> <td>50</td> <td>1</td> </tr> <tr> <td>HS-100L</td> <td>100</td> <td>2</td> </tr> <tr> <td>HS-150L</td> <td>150</td> <td>3</td> </tr> <tr> <td>HS-200L</td> <td>200</td> <td>4</td> </tr> </tbody> </table>	Model	Length	Mounting Number	HS-50L	50	1	HS-100L	100	2	HS-150L	150	3	HS-200L	200	4
Model	Length	Mounting Number															
HS-50L	50	1															
HS-100L	100	2															
HS-150L	150	3															
HS-200L	200	4															
DIN Rail Mounting Type 		<table border="1"> <thead> <tr> <th>Model</th> <th>L</th> <th>W</th> <th>H</th> </tr> </thead> <tbody> <tr> <td>HS-40H</td> <td>90</td> <td>55</td> <td>40</td> </tr> </tbody> </table>	Model	L	W	H	HS-40H	90	55	40							
Model	L	W	H														
HS-40H	90	55	40														

Appearance / Dimension	Model Explanation		
	SSR Model No.	Heat Sink Model No.	Blank: N/A 1: Fan 2: Fuse 3: Fuse Fan (AC220V)
HD-80L as Fig. 1 HE-80L as Fig. 2, 3 	Fig. 1  10, 25A	Fig. 2  25, 40A	Fig. 3  40, 50, 75A
HD-145L (extra long) as Fig. 4 HE-145L (extra long) as Fig. 5, 6 	Fig. 4  10, 25A	Fig. 5  40A	Fig. 6  50, 75A

## ■ Selection of Fuse

40A	40FE
50A	50FE
75A	80FE

## ■ Dimension

Fig.	L m(m)	W n(m)	H r(m)	Fig.	L m(m)	W n(m)	H r(m)
1	80	120	80	4	145	120	80
2	80	120	122	5	145	120	122
3	120	120	122	6	185	120	122

101010010101010010101010010  
101010101010100101010101010010010  
10010



琦勝企業有限公司  
CONCH ELECTRONIC CO., LTD.

| Headquarters 總公司

70955 台南市安南區科技一路3號  
統一編號(VAT No.) : 22506215

Add: 3 Keji 1<sup>st</sup> Road,  
Tainan 70955,  
Taiwan

TEL:886-6-3842111  
FAX:886-6-3840855

[Http://www.conch.com.tw](http://www.conch.com.tw)

E-mail:conchltd@ms24.hinet.net

| 台北營業所

台北縣中和市建八路2號12樓-3  
TEL:886-2-82262211  
FAX:886-2-82261212

| 台中營業所

台中市南屯區大富街118號  
TEL:886-4-23868555  
FAX:886-4-23864810

| 上海分公司

TEL:21-54399660.54392560  
FAX:21-64543550