

# 25W

INDUCTION MOTOR, REVERSIBLE MOTOR  
 80mm TERMINAL BOX TYPE

## INDUCTION MOTOR - CONTINUOUS RATING

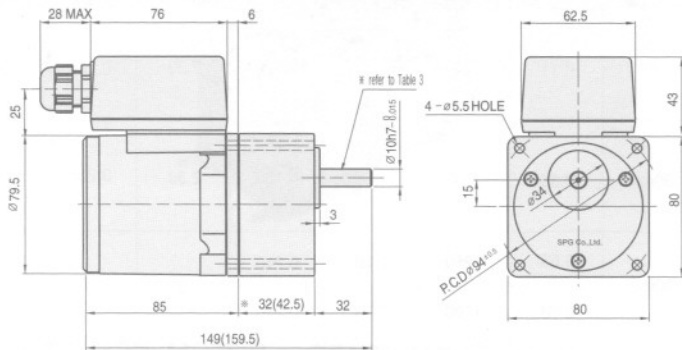
SIZE mm sq.	Type	Poles	Output (w)	Voltage (V)	Frequency (Hz)	Duty	Rated Load				Starting Torque		Capacitor (uF)
							Current (A)	Speed (rpm)	Torque (kg-cm) (N-m)		(kg-cm)	(N-m)	
80	S8I25GA-T S8I25GA-T1	4	25	1 ∅ 110	60	Cont.	0.51	1600	1.60	0.160	1.80	0.180	6.0
	S8I25GB-T S8I25GB-T1	4	25	1 ∅ 220	60	Cont.	0.23	1550	1.65	0.165	1.80	0.180	1.5
	S8I25GC-T S8I25GC-T1	4	25	1 ∅ 100	50	Cont.	0.57	1250	2.00	0.200	1.45	0.145	6.0
	60				0.52		1550	1.65	0.165				
	S8I25GD-T S8I25GD-T1	4	25	1 ∅ 200	50	Cont.	0.30	1250	2.00	0.200	1.45	0.145	1.5
	60				0.29		1500	1.70	0.170				
	S8I25GX-T S8I25GX-T1 S8I25GX-TCE S8I25GX-T1CE	4	25	1 ∅ 220	50	Cont.	0.23	1200	2.10	0.210	1.10	0.110	1.3
	1 ∅ 240			0.25					2.20	0.220	1.30	0.180	
	S8I25GU-T S8I25GU-T1 S8I25GU-TCE S8I25GU-T1CE	4	25	3 ∅ 200	50	Cont.	0.26	1300	1.95	0.195	3.50	0.350	-
	60				0.24				1550	1.65	0.165	2.90	
	S8I25GT-T S8I25GT-T1 S8I25GT-TCE S8I25GT-T1CE	4	25	3 ∅ 220	50	Cont.	0.28	1350	1.90	0.190	4.20	0.420	-
	60				0.24			1600	1.60	0.160	3.50	0.350	
	S8I25GS-T S8I25GS-T1 S8I25GS-TCE S8I25GS-T1CE	4	25	3 ∅ 380	50	Cont.	0.14	1250	2.00	0.200	3.15	0.315	-
	60				0.12			1500	1.70	0.170	2.50	0.250	
	50				Cont.	0.14	1250	2.10	0.210	3.50	0.350		
	60						0.12	1500	1.80	0.180	2.75	0.275	
	50				Cont.	0.15	1300	1.95	0.195	3.75	0.375		
	60						0.13	1550	1.65	0.165	3.00	0.300	
	50	Cont.	0.15	1300	2.10	0.210	4.40	0.440					
	60			0.13	1550	1.80	0.180	3.40	0.340				

- "CE" marked at the end of the model name indicates that it is thermally protected type which has received CE marking (File NO. E9766002E01, Certificate Institute: TÜV Rheinland) with built-in TP.
- "TP" marked at the end of the model name indicates that it is standard motor with Thermal Protector mounted. S8I25GX-T, S8I25GS-T is thermally protected type with TP mounted.
- In case 3 phase 380V motor is controlled with inverter, please be careful to use considerin
- There is no marked the 'L' code for it is an exclusive use.

# ■ DIMENSIONS

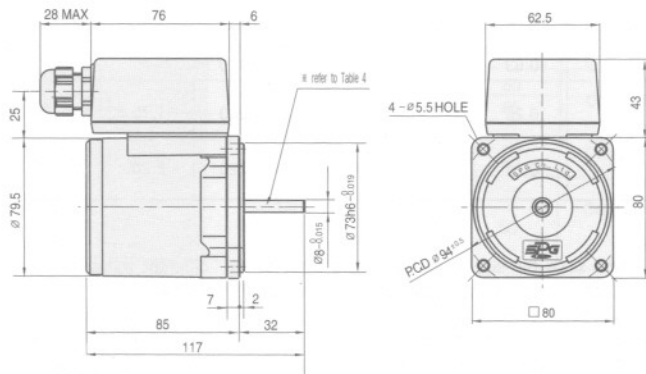
## ▼ GEARED MOTOR

- ※ MOTOR MODEL : S8(I,R)25G□-T
- ※ HEAD MODEL : S8□A3□~S8□A200□



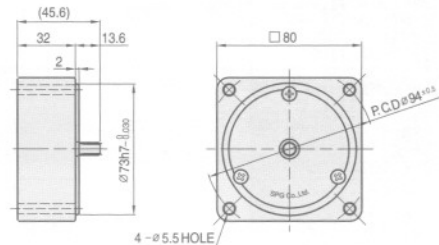
## ▼ MOTOR

- ※ MOTOR MODEL : S8(I,R)25□□-T



## ▼ INTER-DECIMAL GEAR HEAD

- ※ MODEL : S8GX10B



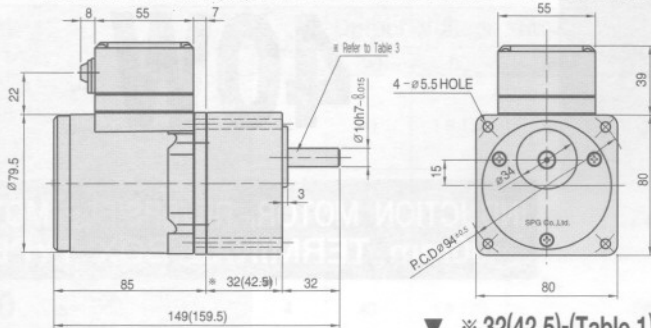
## ▼ WEIGHT-(Table 2)

PART		WEIGHT(kg)
INDUCTION MOTOR		1.60
REVERSIBLE MOTOR		1.65
DECIMAL GEARHEAD		0.43
GEAR HEAD	S8□A3□ ~S8□A18□	0.43
	S8□A20□ ~S8□A40□	0.57
	S8□A50□ ~S8□A200□	0.61

# DIMENSIONS

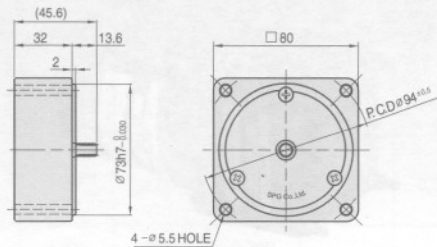
## ▼ GEARED MOTOR

\* MOTOR MODEL : S8(I,R)25G□-T1 \* HEAD MODEL : S8□A3□~S8□A200□



## ▼ INTER-DECIMAL GEARHEAD

\* MODEL : S8GX10B



## ▼ SPEC for output shaft of gearhead-(Table 3)

MODEL	TYPES OF OUTPUT SHAFT
STRAIGHT TYPE	
S8SA3□ ~S8SA200□	
D-CUT TYPE	
S8DA3□ ~S8DA200□	
KEY TYPE	
S8KA3□ ~S8KA200□	

## ▼ ※ 32(42.5)-(Table 1)

GEAR RATIO	SIZE(mm)
S8□A3□~S8□A18□	32
S8□A20□~S8□A200□	42.5

## ▼ SPEC for output shaft of motor-(Table 4)

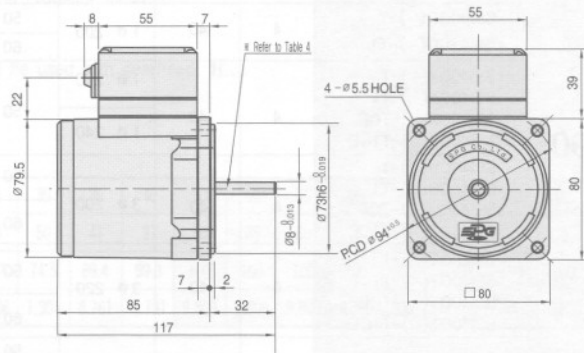
MODEL	TYPES OF OUTPUT SHAFT
GEAR TYPE	
S8(I,R)25G□-T S8(I,R)25G□-T1	
STRAIGHT TYPE	
S8(I,R)25S□-T S8(I,R)25S□-T1	
D-CUT TYPE	
S8(I,R)25D□-T S8(I,R)25D□-T1	
KEY TYPE	
S8(I,R)25K□-T S8(I,R)25K□-T1	

## ▼ WEIGHT-(Table 2)

PART	WEIGHT(Kg)	
INDUCTION MOTOR	1.55	
REVERSIBLE MOTOR	1.60	
DECIMAL GEARHEAD	0.43	
GEAR HEAD	S8□A3□ ~S8□A18□	0.43
	S8□A20□ ~S8□A40□	0.57
	S8□A50□ ~S8□A200□	0.61

## ▼ MOTOR

\* MOTOR MODEL : S8(I,R)25□□-T1



## ▼ KEY SPEC

GEARHEAD	MOTOR

# SCHEMATIC DIAGRAMS

The direction of motor rotation is as viewed from the front shaft end of the motor. Circled number is the terminal number inside terminal box.

## ■ INDUCTION MOTOR

S8I25GA-T S8I25GB-T S8I25GC-T S8I25GD-T	S8I25GX-T S8I25GX-TCE	S8I25GU-T S8I25GT-T	S8I25GU-TCE	S8I25GT-TCE
S8I25GA-T1S8I25GB-T1 S8I25GC-T1 S8I25GD-T1	S8I25GX-T1 S8I25GX-T1CE	S8I25GU-T1 S8I25GT-T1	S8I25GU-T1CE	S8I25GT-T1CE
<b>CW</b> 	<b>CCW</b> 	<b>CW,CCW</b> 	<b>CW</b> 	<b>CCW</b> 
<b>CW</b> 	<b>CCW</b> 	<b>CW</b> 	<b>CCW</b> 	<b>CCW</b> 

## ■ REVERSIBLE MOTOR

S8I25GS-TCE S8I25GS-T	S8R25GA-T, S8R25GB-T	S8R25GX-T, S8R25GX-TCE	S8R25GU-T, S8R25GT-T
S8I25GS-T1CE S8I25GS-T1	S8R25GA-T1, S8R25GB-T1	S8R25GX-T1, S8R25GX-T1CE	S8R25GU-T1, S8R25GT-T1
<b>CW,CCW</b> 	<b>CW,CCW</b> 	<b>CW,CCW</b> 	<b>CW,CCW</b> 
<b>CW,CCW</b> 	<b>CW,CCW</b> 	<b>CW,CCW</b> 	<b>CW,CCW</b> 

Change the direction of motor rotation only after the motor stops completely. If an attempt is made to change the direction of rotation while the motor is running, the motor may ignore the reversing command or change its direction of rotation after some delay. ①, ②, ③, ④: Terminal NO.