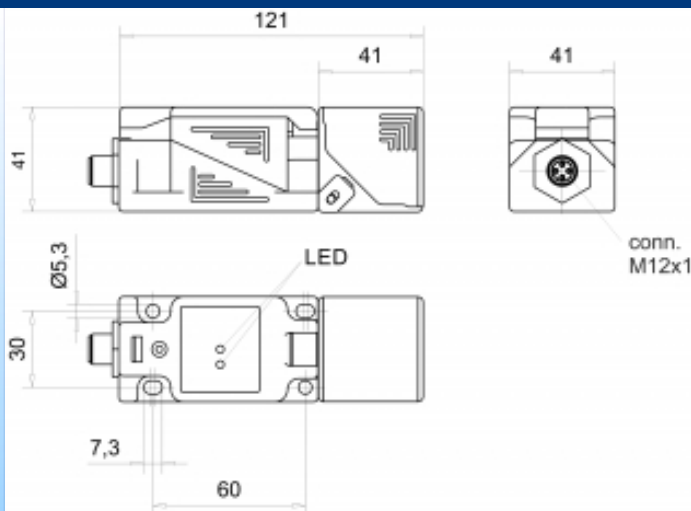
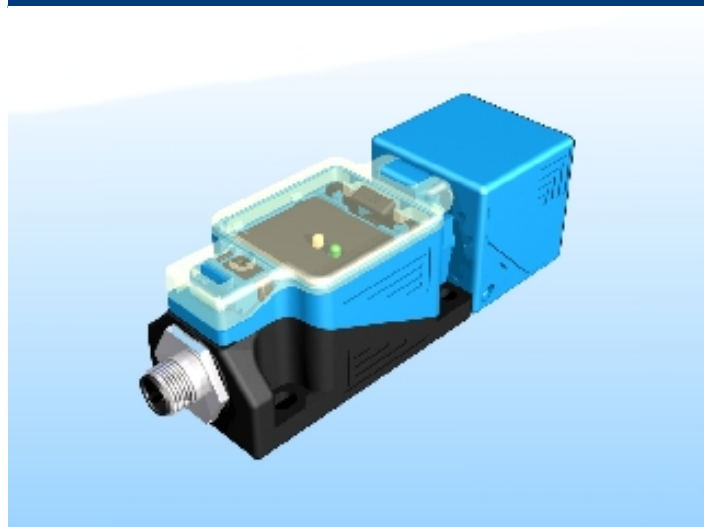




[Article Page](#)

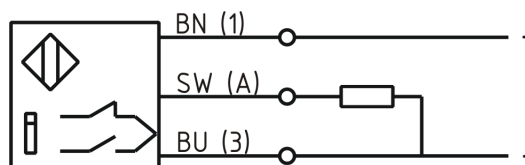
Product Description

inductive sensor DC



Name	KJ20-Q40KB-DPU-V2
Order number	08317832065
Matchcode	9883-2065
Switching distance	20 mm
Mounting	 shielded
Switch type	 Switchable
Signal Type	DC PNP
Connection	connector M12

Connection diagramm



Dimension (in mm)	Q 41 x 41 x 120
-------------------	-----------------

Technical Specification

Operating voltage	10 - 30 V DC
Max. ripple	≤ 10 %
Voltage drop	2,4 V
Max. load current	120 mA
No load current	≤ 10 mA
Leakage current	≤ 10 µA
Switching frequency	150
Switching hysteresis	≤ 20 %
Operating temperature	-25 ° C to 70 ° C

Temperature drift	≤ 10 %
Repeat accuracy	≤ 5 %
Operating state	LED
Switching state	LED
Short-circuit proof	yes
Overload protection	yes
Reverse voltage protection	yes
Protection category	IP67
EMC-level	DIN EN 60947-5-2: 2008
Utilisation category	DC 13
Termination	Connector M12 4pol

Errors and omissions exceptet